

Installation Instructions

Electric 12 VDC Replacement Tailgate Spreaders



REPLACEMENT TAILGATE SPREADER WARRANTY

This warranty replaces all previous warranties and no employee of this company is authorized to extend any additional warranties, or agreements, or implications not explicitly covered herein. Buyers Products Company warrants all parts of the product to be free from defects in material and workmanship for a period of (1) one year from the date of original installation. Parts must be properly installed and used under normal conditions. Normal wear is excluded.

Any part which has been altered, including modification, misuse, accident, or lack of maintenance will not be considered under this warranty. The sole responsibility of Buyers Products Company under this warranty is limited to repairing or replacing any part(s) which are returned, prepaid, 30 days after such defect is discovered, and returned part(s) are found to be defective by Buyers Products Company.

Authorization from Buyers Products Company must be obtained before returning any part. The following information must accompany defective parts returned to Buyers Products Company: RMA#, spreader model, serial number, date installed, and distributor from whom it was purchased. Buyers Products Company shall not be liable for damage arising out of failure of any unit to operate properly, or failure, or delay in work, or for any consequential damages. No charges for transportation or labor performed on any part will be allowed under this warranty.

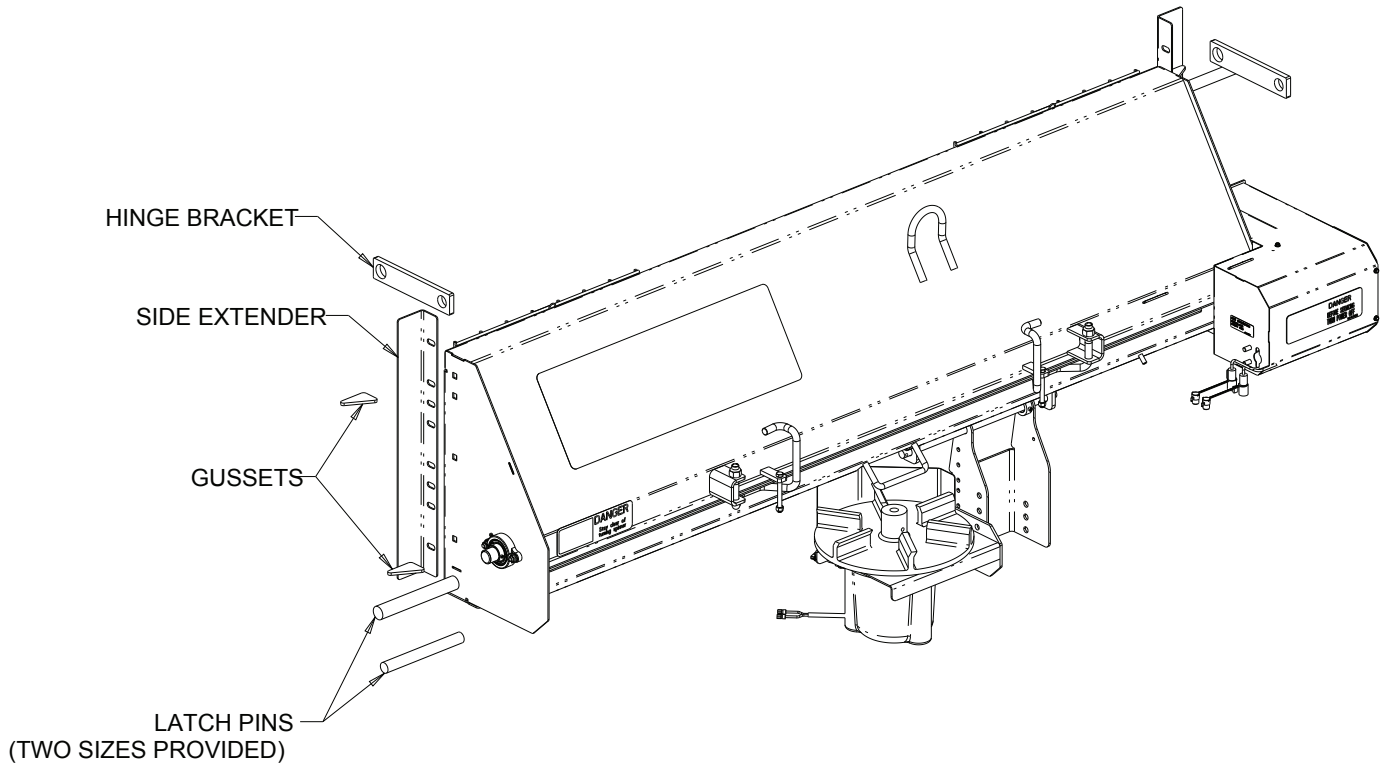
Table of Contents

Spreader Installation Instructions.....	1-2
Spinner Assembly Instructions.....	3-4
Control Box & Vehicle Wiring Harness Installatoin ..	4-5
Spinner Assembly Drawing	6
Parts list.....	6-7

Note: These instructions are for typical installation. Your truck application may require additional fabrication.

WARNING

During installation ensure that the truck is on level ground and the spreader will be safely supported the entire process.



1. Aligning and Mounting the Spreader:

A. Remove the truck's tailgate and store it in a safe location.

B. Position the spreader at the rear of the truck, centered, and with the spreader slightly above the surface of the bed.

NOTE: *The spreader should be lifted using the hook welded to the body. Clamp the spreader in this position.*

C. The spreader is supplied with two sizes of hinge pins and hinge brackets with two sizes of holes.

D. Determine which parts best work with your truck body and fit them up and tack weld in place.

NOTE: *If required, different size pins or brackets are the responsibility of the installer.*

E. Remove the spreader from the body and fully weld the mounting components to the spreader.

NOTE: *It is the responsibility of the installer to ensure that the final installation is completed properly and as secure as the original tailgate.*

F. Cut off any extra material as desired then reattach the spreader to truck in order to mount the spinner assembly.

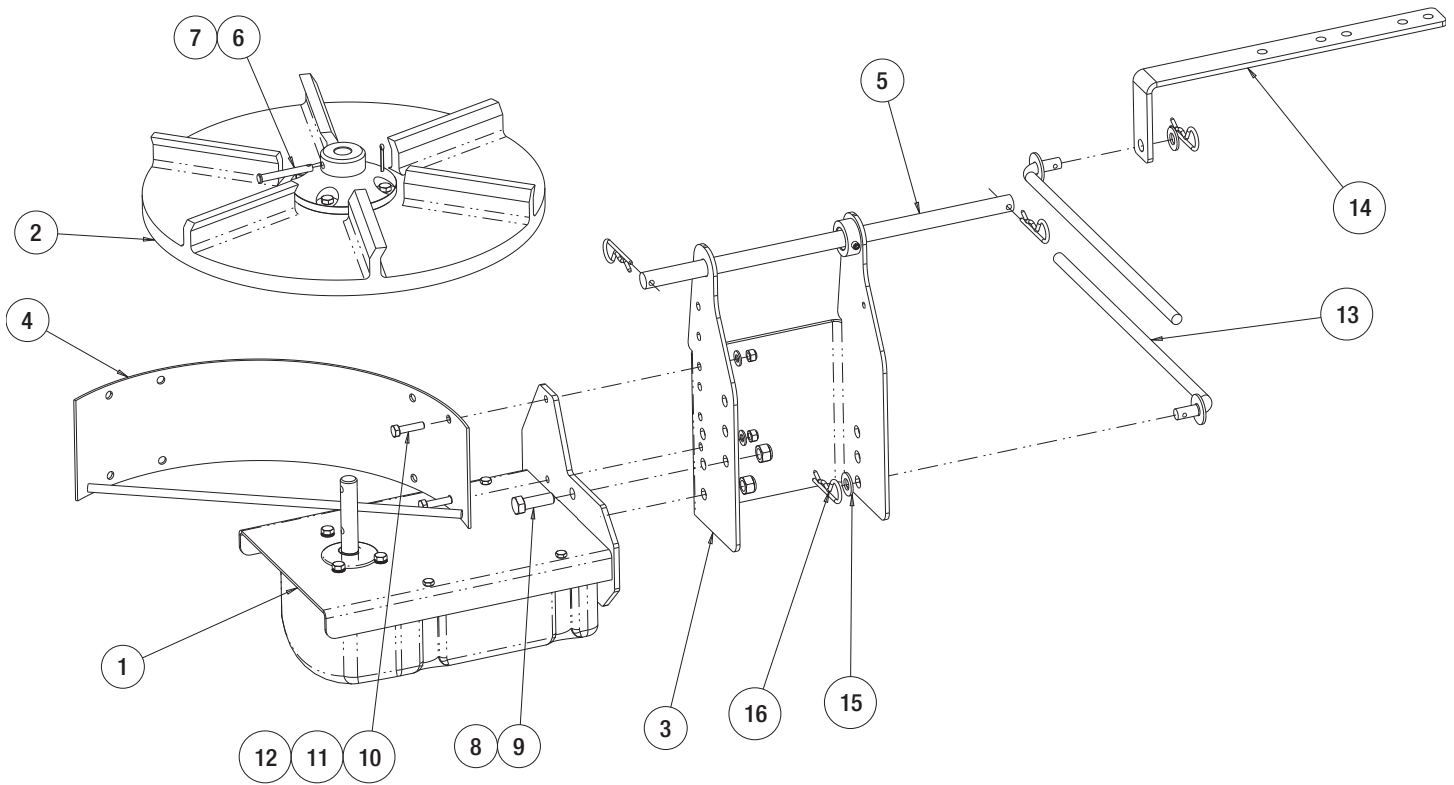
2. Alternate Mounting:

A. Another option for mounting is to use the included side extenders. These are to be bolted to the sides of the spreaders using the included carriage bolts and should be mounted flush with the truck side surface of the spreader.

NOTE: *Side Extenders should be attached so slotted holes line up with existing holes in the spreader body. This will allow clearance for positioning the bottom hinge pin.*

B. Use the included gussets, 2 per side, to reinforce the side extenders as close to the mounting hardware as possible.

C. If desired, additional gussets or supports may be added. **(NOT SUPPLIED)**



3. Spinner assembly installation:

A. Attach heights adjustment bracket (1) to spreader lower tray using rod hinge (2) and hair pins.

B. Attach spinner motor assembly (3) to heights adjustment bracket (1) using ½-13 screws and nuts.

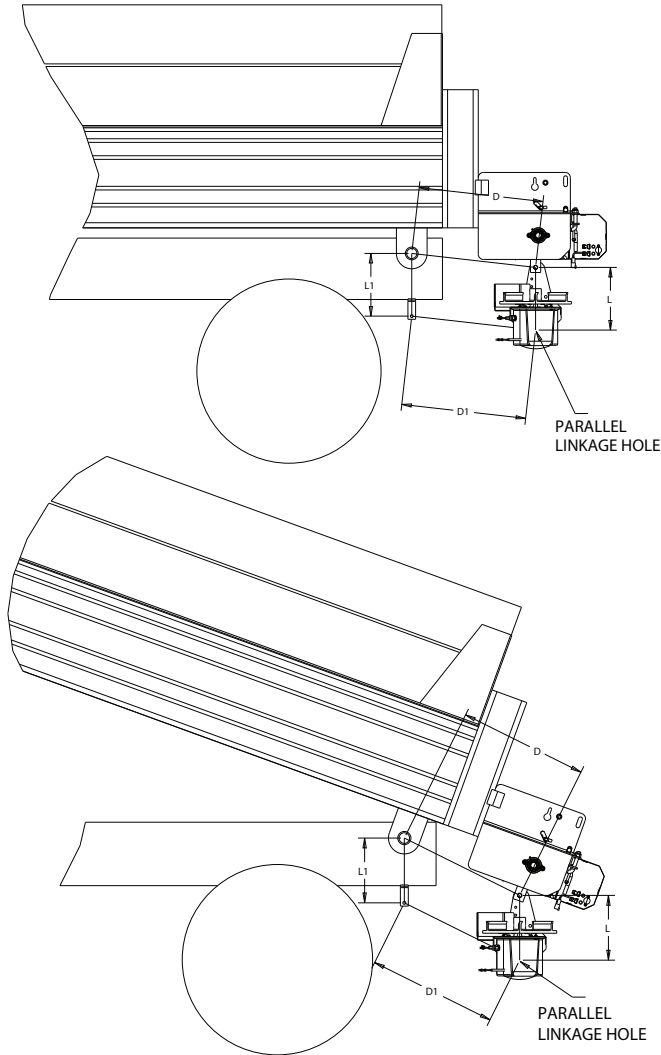
C. If extra clearance required, use upper holes in heights adjustment bracket.

D. Attach spinner shield (7) to heights adjustment bracket (1) using 5/16-18 screws and nuts.

E. Attach spinner disk (4) to motor shaft using clevis pin and cotter pin.

Bill of Materials

ITEM	PART NO.	QTY.	DESCRIPTION
1	3035902	1	SPINNER MOTOR AND BRACKET ASM
2	3035907	1	SPINNER ASM,18" POLY CCW
3	3017175	1	BRACKET,HEIGHT ADJUSTMENT
4	3006659	1	DEFLECTOR,SPINNER
5	3006646	1	ROD,HINGE
6	3007113	1	CLEVIS PIN
7	FPC013000100	1	COTTER PIN
8	FNE050013053SS	2	NUT,NYLON LOCKING,1/2"-13 SST
9	FCS050013150SS	1	SCREW,HEX,1/2-13" X 1--1/2" SST
10	0205100	2	SCREW,HEX,5/16"-18 X 1-1/4" SST
11	FWF031075006SS	2	WASHER,FLAT,5/16" SST
12	FNE031018034SS	2	NUT,NYLON LOCKING,5/16"-18 SST
13	924F0012	2	PARALLEL LINKAGE
14	3006645	1	ANGLE,SPINNER LUG
15	3003873	2	WASHER,FLAT,1/2" SST
16	HP12	4	COTTER PIN,HAIRPIN



- F.** The leveling mechanism may now be mounted. Park truck on flat, level surface. With spinner assembly in level position, carefully measure “L” and “D” distances. Use any of 3 available holes in heights adjustment bracket. Locate angle (15) such that 1/2” hole will position with D1=D and L1=L. Modify angle if necessary.
- G.** Secure angle (15) to the truck frame.
- H.** Attach parallel linkage rods (13) to heights adjustment bracket and angle. Secure them using 1/2” washers and hair pins.
- I.** Clamp parallel linkage rods together. To verify leveling action, slowly raise the dump. Be sure that spinner motor assembly and linkages do not have any interference with truck body and it does not have contact with the road. After checking weld parallel linkage bars together.
- J.** Keeping the spinner assembly level, secure the spinner frame in place using the set screw or 5/16-18 hex screw.

4. Control Box & Vehicle Wiring Harness Installation

MAKE SURE YOU HAVE CONNECTED THE PROPER WIRE COLOR. THIS IS WIRE GROUND ELECTRICAL SYSTEM! NO CONNECTIONS TO TRUCK’S FRAME OR BODY ALLOWED!

WARNING

WARNING! Do not drill holes into fuel tanks, fuel lines, through electrical wiring, etc that may be damaged by drilling. To insure good performance of your spreader, check the condition of truck’s electrical system. Using digital voltmeter, check alternator and battery voltage. With engine running and head lights and heater fan ON good voltage reading should fall between 13.0 and 15.3 volts. If voltage reading falls out of this range, check and adjust your electric system.

NOTE: Always disconnect battery before attempting to install electrical components on your vehicle.

A. Mount the controller in a convenient location in the truck cab. It is recommended not to mount the controller directly in front of heat vents. Allow ample air space around controller.

CAUTION

DO NOT MOUNT CONTROLLER IN THE WAY OF AIR BAG DEPLOYMENT!

B. Route both wire harnesses into truck cab through firewall (it maybe necessary to drill holes). Insulate hole to avoid water leaks.

C. Insure no wires are nicked or damaged during installation.

D. Connect the 4-pin connector on the wire harness to the control box 4-pin connector.

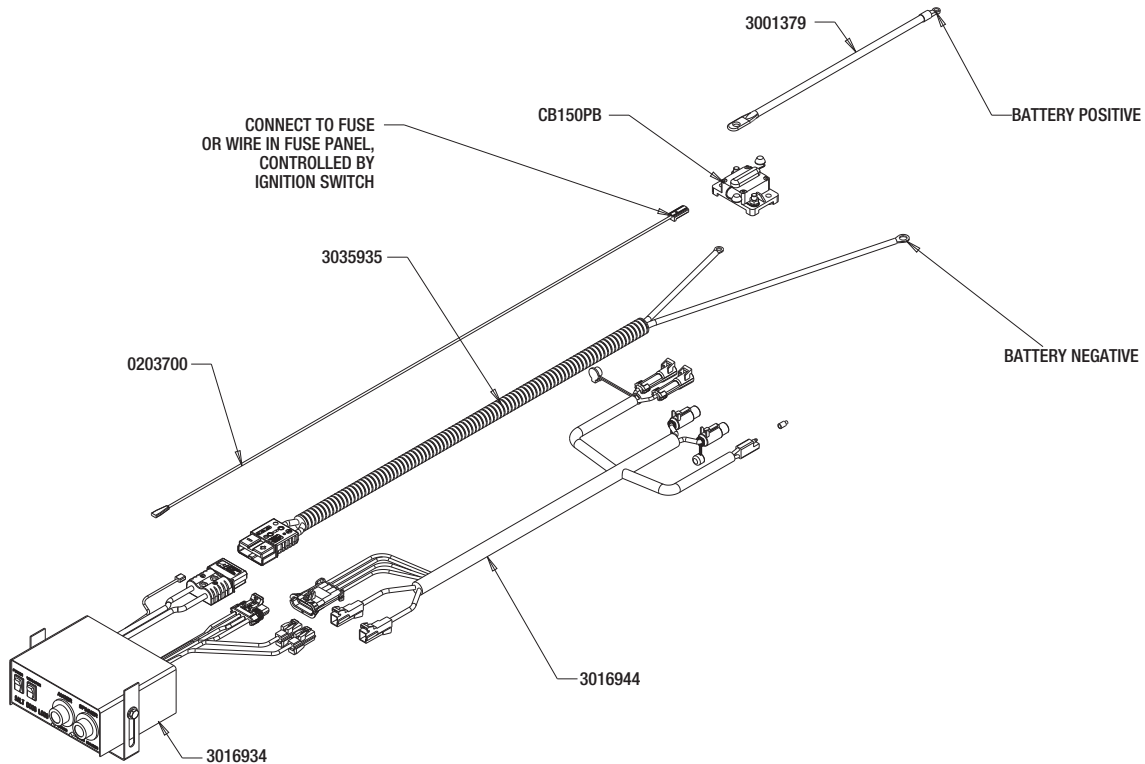
E. Connect the 2-pin connector on the power cable to the control box mating connector.

F. Connect wire harness single connectors to control box connectors.

G. Connect fuse connector to the fuse terminal or ignition switch (5 AMP max).

H. Lay out a path for the power cable to the battery, use quick ties to secure power cable.

DO NOT CONNECT TO BATTERY AT THIS TIME!



I. Lay out path for wire harness to the rear of the vehicle. It is recommended to stay clear of the exhaust system. Excess heat can damage the wire harnesses. Use quick ties to secure harness to underbody.

J. Connect the wire harness to the motor. Make sure wire colors on wire harness match colors on the motor. Thoroughly clean battery terminals. Make sure battery terminals have no tarnish or corrosion. **DO NOT CONNECT WIRE HARNESS TO DAMAGED OR CORRODED TERMINALS!**

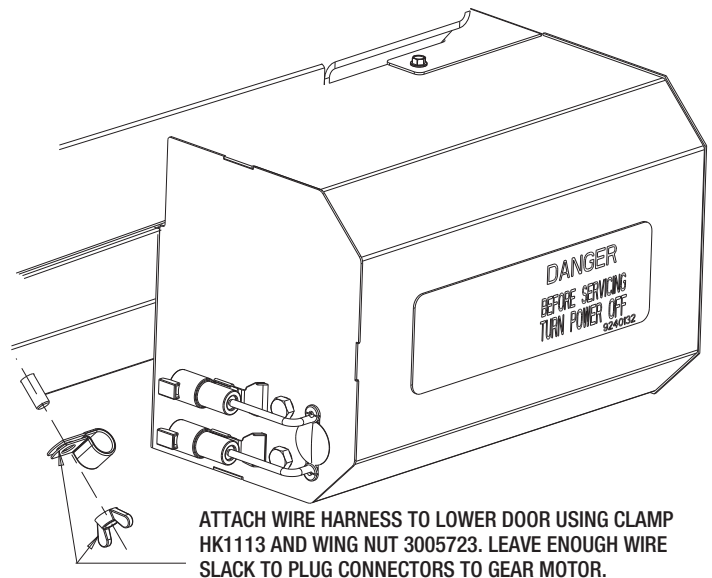
IT MAY RESULT IN OVERHEATING, LOST POWER AND POTENTIAL CONTROLLER DAMAGE!

K. Connect the power cable directly to the battery.

L. Insure all functions of the controller are working properly.

M. Observe auger moving in proper direction. If direction is wrong reverse wires between Motor and Wire Harness.

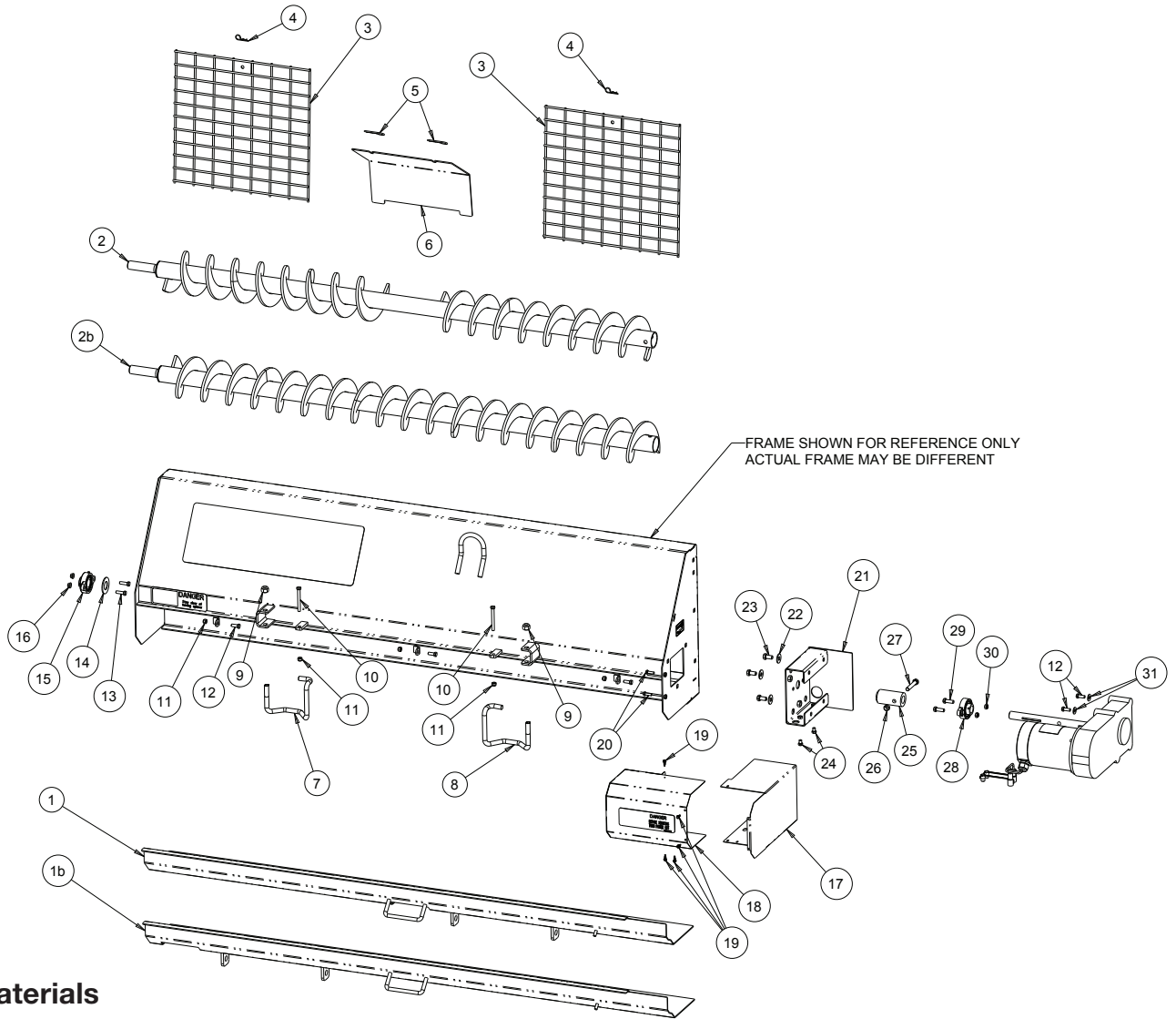
N. Optional spot light (5 AMP max) can be installed on spreader. Remove cap from single white wire. Connect light to this wire and trucks frame.



ATTACH WIRE HARNESS TO LOWER DOOR USING CLAMP HK1113 AND WING NUT 3005723. LEAVE ENOUGH WIRE SLACK TO PLUG CONNECTORS TO GEAR MOTOR.

IMPORTANT

IMPORTANT Make sure all wires securely attached to vehicle or spreader. Use wire ties and/or wire clamps to attach wires. All excess wires must be rolled into bundles and attached to vehicle or spreader.

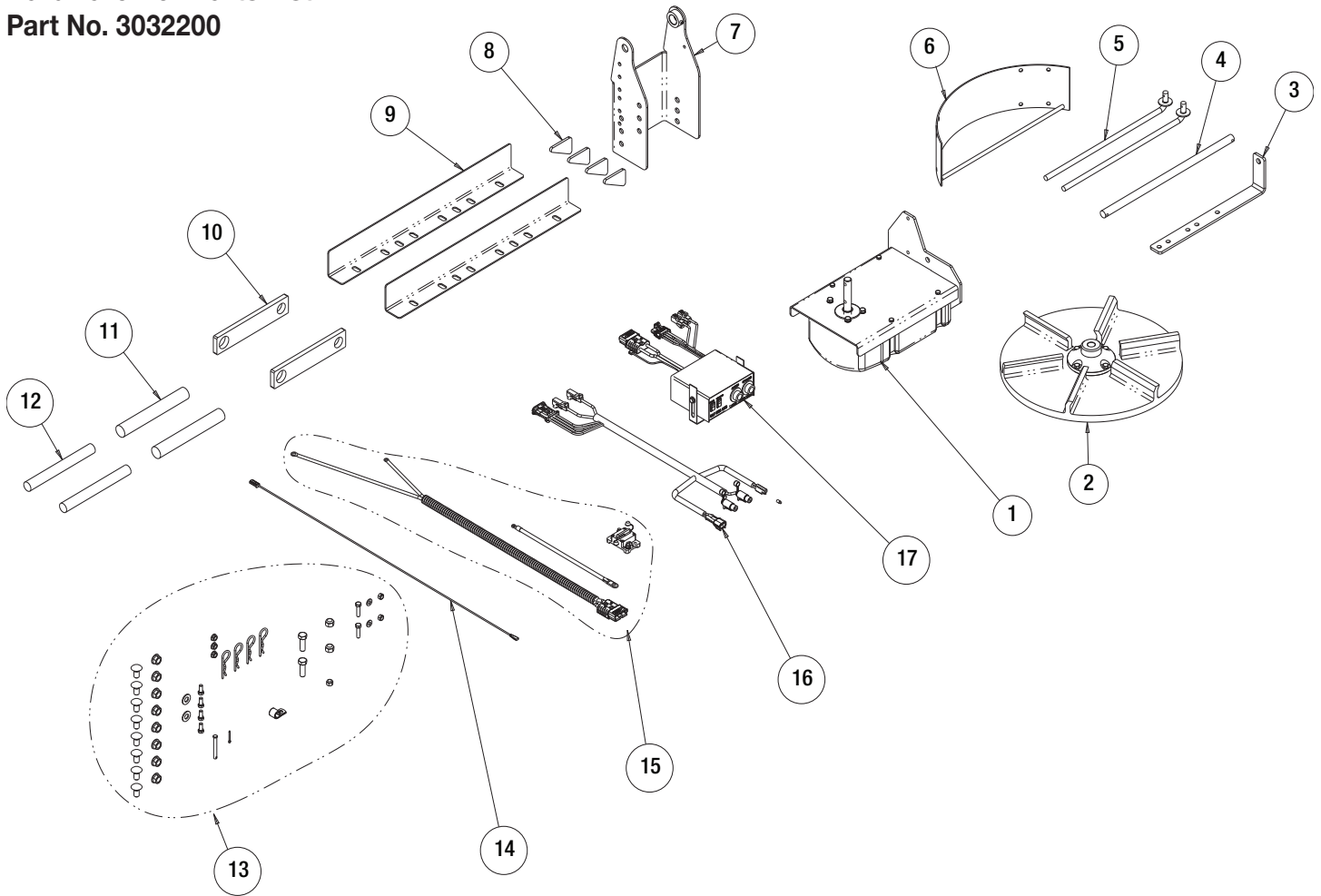


Bill of Materials

ITEM	PART NO.	QTY.	DESCRIPTION
1	3032173		Bottom Tray - Center Discharge
1b	3032206	1	Bottom Tray - Driver Side Discharge
2	3032188		Auger - Center Discharge
2b	3032191	1	Auger - Driver Side Discharge
3	3032179	2	Screen
4	1420016	2	Cotter Pin
5	HP12	2	Cotter Pin
6	3032181	1	Plate,Anti-Spill
7	3027109	1	Cam Handle - CW
8	3027110	1	Cam Handle - CCW
9	3001247	2	Nut,Nylon Locking 5/8-11
10	3001249	2	Screw,Hex Head Cap, 3/8-16 x 3
11	FNE038016044SS	5	Nut,Nylon Locking 3/8-16
12	FCS038016100SS	7	Screw,Hex Head Cap,3/8-16 X 1
13	FCS038016125SS	2	Screw,Hex Head Cap,3/8-16 X 1.25
14	9240087	1	Gasket,Felt
15	9240086	1	Bearing

ITEM	PART NO.	QTY.	DESCRIPTION
16	3001255	2	Nut,Nylon Locking,3/8-16
17	3032183	1	Cover,Gear Motor,Side
18	3032185	1	Cover,Gear Motor,Front
19	3015873	5	Screw,Self Drill,Hex Washer Head,#12-14 x .75
20	3018701	2	Screw,Hex Head Cap,5/16-18 x 1
21	3014455	1	Adapter,Gear Motor
22	3000269	3	Washer,Flat,1/2
23	FCS050013100SS	3	Screw,Hex Head Cap,1/2-13 X 1
24	3006760	2	Screw,Hex Head Cap,3/8-16 x 1/2
25	3014858	1	Sleeve,Auger Adapter
26	FNE050013053SS	1	Nut,Nylon Locking,1/2-13
27	3001250	1	Screw,Hex Head Cap,1/2-13 x 3
28	1410200	1	Bearing,Gear Motor,1-1/8"
29	3014755	2	Screw,Hex Head Cap,7/16-14 x 1.25
30	3014756	2	Nut,Nylon Locking,7/16-14
31	FWF038100007SS	4	Washer,Flat,3/8

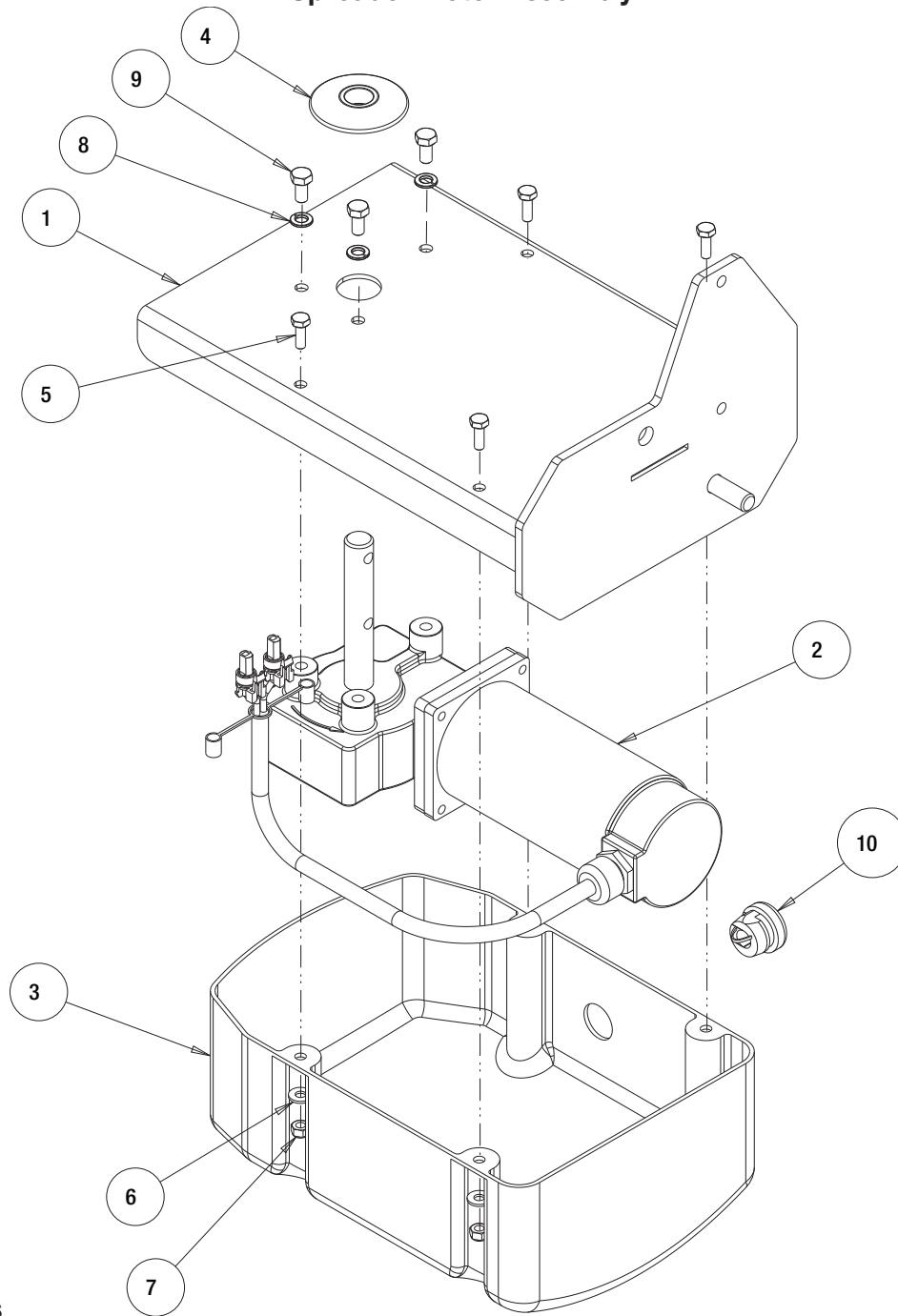
**Hardware Box Parts List -
Part No. 3032200**



Bill of Materials

ITEM	PART NO.	QTY.	DESCRIPTION
1	3035902	1	SPINNER MOTOR AND BRACKET ASM
2	3035907	1	SPINNER ASM,18" POLY CCW
3	3006645	1	ANGLE,SPINNER LUG
4	3006646	1	ROD,HINGE
5	924F0012	2	PARALLEL LINKAGE
6	3006659	1	DEFLECTOR,SPINNER
7	3017175	1	BRACKET,HEIGHT ADJUSTMENT
8	3032180	4	GUSSET,SIDE EXTENSION
9	3032177	2	PLATE,SIDE EXTENSION
10	3032176	2	BAR,PIVOT
11	3032175	2	PIN,PIVOT,1.25" DIAMETER
12	3032204	2	PIN,PIVOT,1.00" DIAMETER
13	3032221	1	HARDWARE BAG
14	0203700	1	WIRE ASSEMBLY,36" LONG
15	3035938	1	POWER CABLE KIT(W/ CIRCUIT BREAKER)
16	3016944	1	WIRE HARNESS, MAIN
17	3016934	1	CONTROLLER

Spreader Motor Assembly



Bill of Materials

ITEM	PART NO.	QTY.	DESCRIPTION
1	3035903	1	BRACKET,SPINNER MOTOR
2	3030222	1	GEAR MOTOR, SPINNER
3	3030575	1	ENCLOSURE,GEAR MOTOR
4	3027439	1	SHAFT SLINGER
5	FCS025020075SS	4	SCREW,HEX,1/4"-20 X 3/4" SST
6	FWF025063007SS	4	WASHER,FLAT,1/4" SST
7	FNE025020031SS	4	NUT,NYLON LOCKING,1/4"-20 SST
8	FWL031058008SS	3	WASHER,LOCKING,5/16" SST
9	FCS031018063SS	3	SCREW,HEX,5/16"-18 X 5/8" SST
10	3025065	1	BUSHING,STRAIN RELIEF