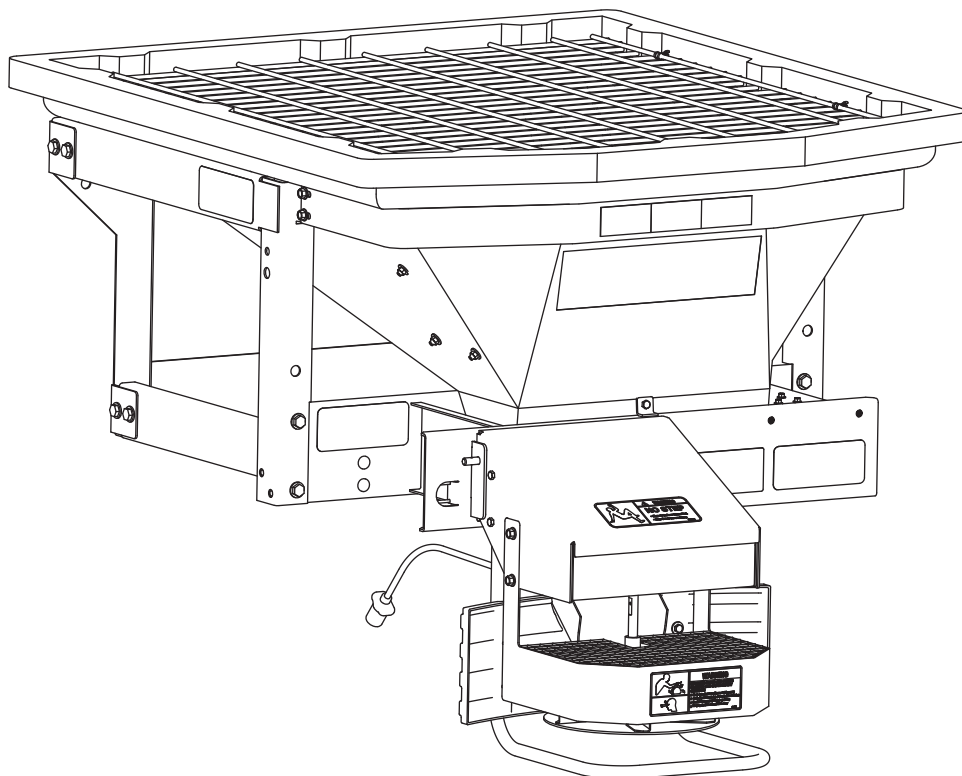




# UTV Hopper Spreader

## SP-2000

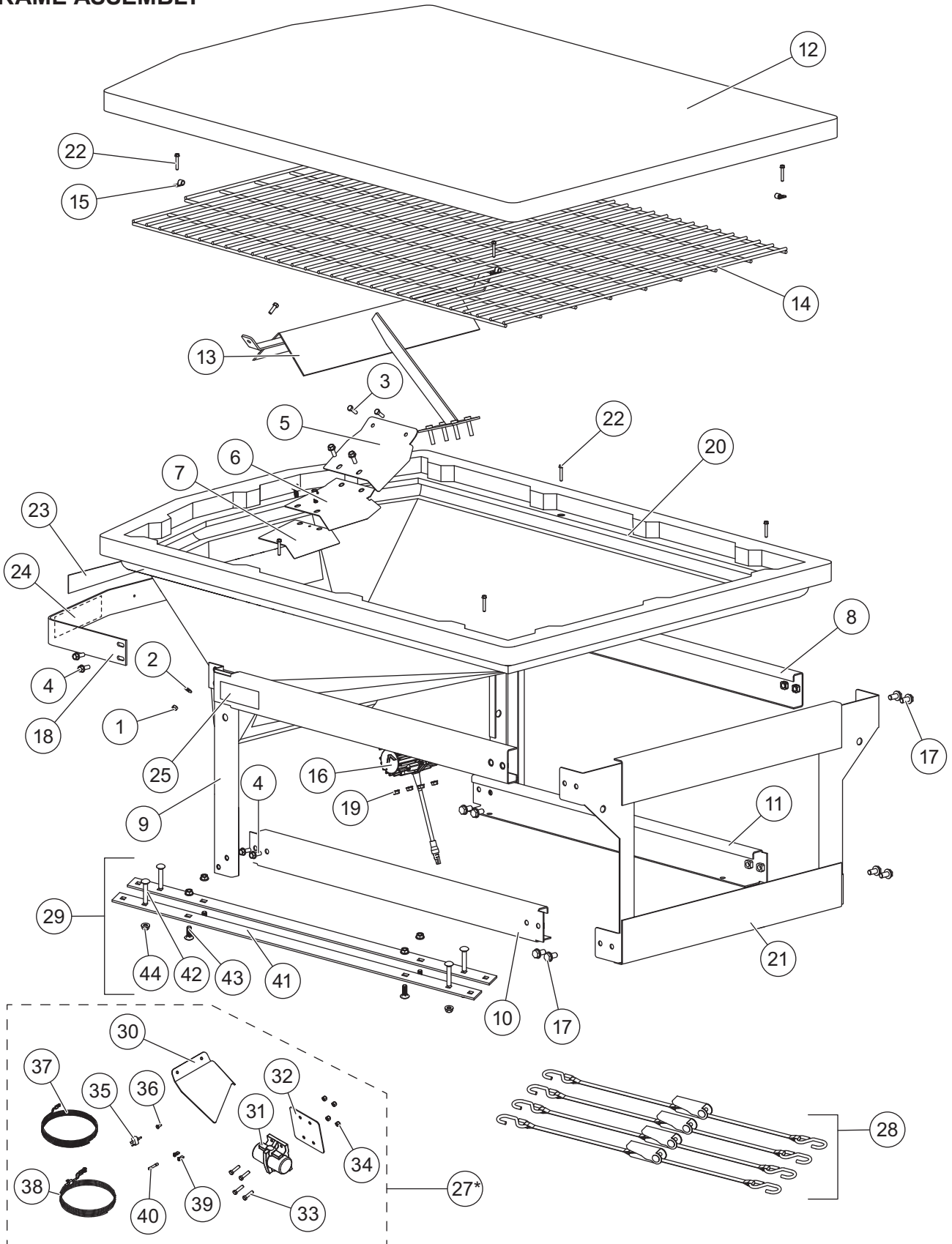
### Parts List



This Parts List is for SnowEx® SP-2000 UTV hopper spreaders  
with serial numbers beginning with 160901 and higher.

# SP-2000 UTV HOPPER SPREADER

## FRAME ASSEMBLY



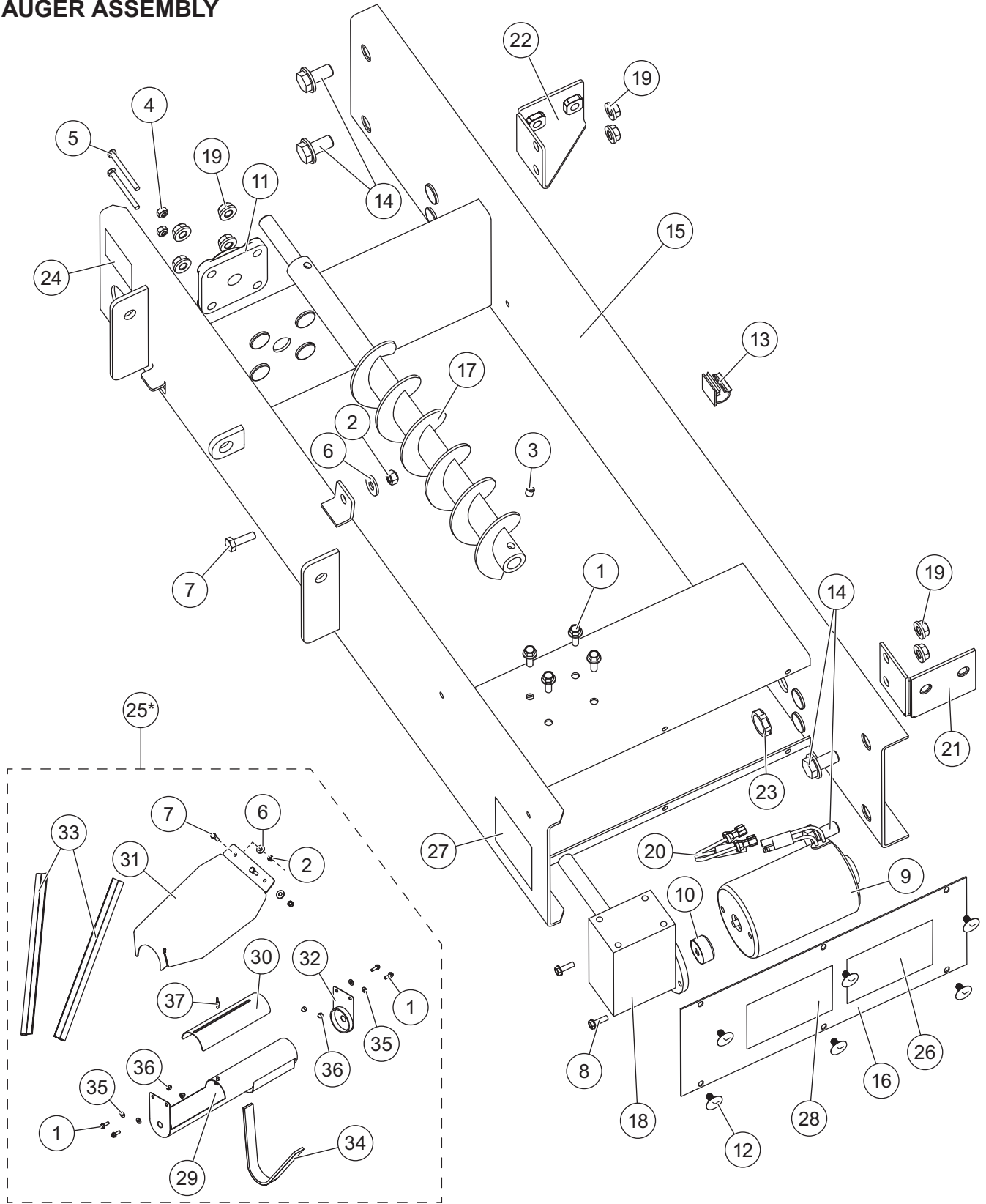
## SP-2000 UTV HOPPER SPREADER

Frame Assembly							
Item	Part	Qty	Description	Item	Part	Qty	Description
1	91332	4	5/16-18 Hex Locknut GB	15	51066	4	5/16 Clamp
2	90313	4	5/16 Flat Washer	16	51068	1	DC-200 Vibrator
3	68494	4	5/16-18 x 1 Hex Cap Screw	17	51074	8	1/2-13 x 1 Serrated Flange Hex Cap Screw
4	51049	12	3/8-16 x 1 Serrated Flange Hex Cap Screw	18	51075	1	Hopper Apron
5	51052	1	Main Baffle	19	51092	4	3/8-16 Serrated Flange Nut
6	51053	1	Secondary Baffle	20	77003	1	Hopper, 11 ft <sup>3</sup> , SnowEx <sup>®</sup>
7	51054	1	Third Baffle	21	51099	1	Front Frame
8	93120	1	Frame, Left	22	51103	8	1/4 x 1-1/2 Driller w/Washer
9	93119	1	Frame, Right	23	51104	1	Conspicuity Tape
10	93121	1	Lower Rail, Right	24	85182	1	Label – Identity, Logo
11	93122	1	Lower Rail, Left	25	93107	1	Label – Warning, GVWR
12	93116	1	Tarp Kit	27*	51106	1	Optimum Flow Kit
13	93118	1	Inverted V, 11 ft <sup>3</sup> Hopper	28	51063	1	Ratchet Strap (pkg of 4)
14	93117	1	Top Screen, 11 ft <sup>3</sup> Hopper	29	93108	1	UTV Mounting Kit
<b>Item 27*</b>				<b>51106 Optimum Flow Kit</b>			
30	88295	1	Opti-Flow Baffle	36	88291	1	Rubber Switch Boot
31	88283	1	DC-80 Vibrator	37	88289	1	Spreader/Vehicle Harness, 20'
32	88284	1	Vibrator Backing Plate	38	88290	1	Battery Harness, 10'
33	90043	4	3/8-16 x 2 Hex Cap Screw G5	39	88294	2	Spade Connector
34	91333	4	3/8-16 Hex Locknut GB	40	88287	1	Butt Connector
35	88285	1	ON/OFF Switch	ns	88288	1	Dielectric Grease
<b>Item 29</b>				<b>93108 UTV Mounting Kit</b>			
41		2	UTV Mounting Bar	43		8	1/2-13 x 1-1/2 Carriage Bolt
42		4	1/2-13 x 3 Carriage Bolt	44		8	1/2-13 Serrated Flange Nut
ns = not shown				G = Grade			

\* = Accessory Only

# SP-2000 UTV HOPPER SPREADER

## AUGER ASSEMBLY



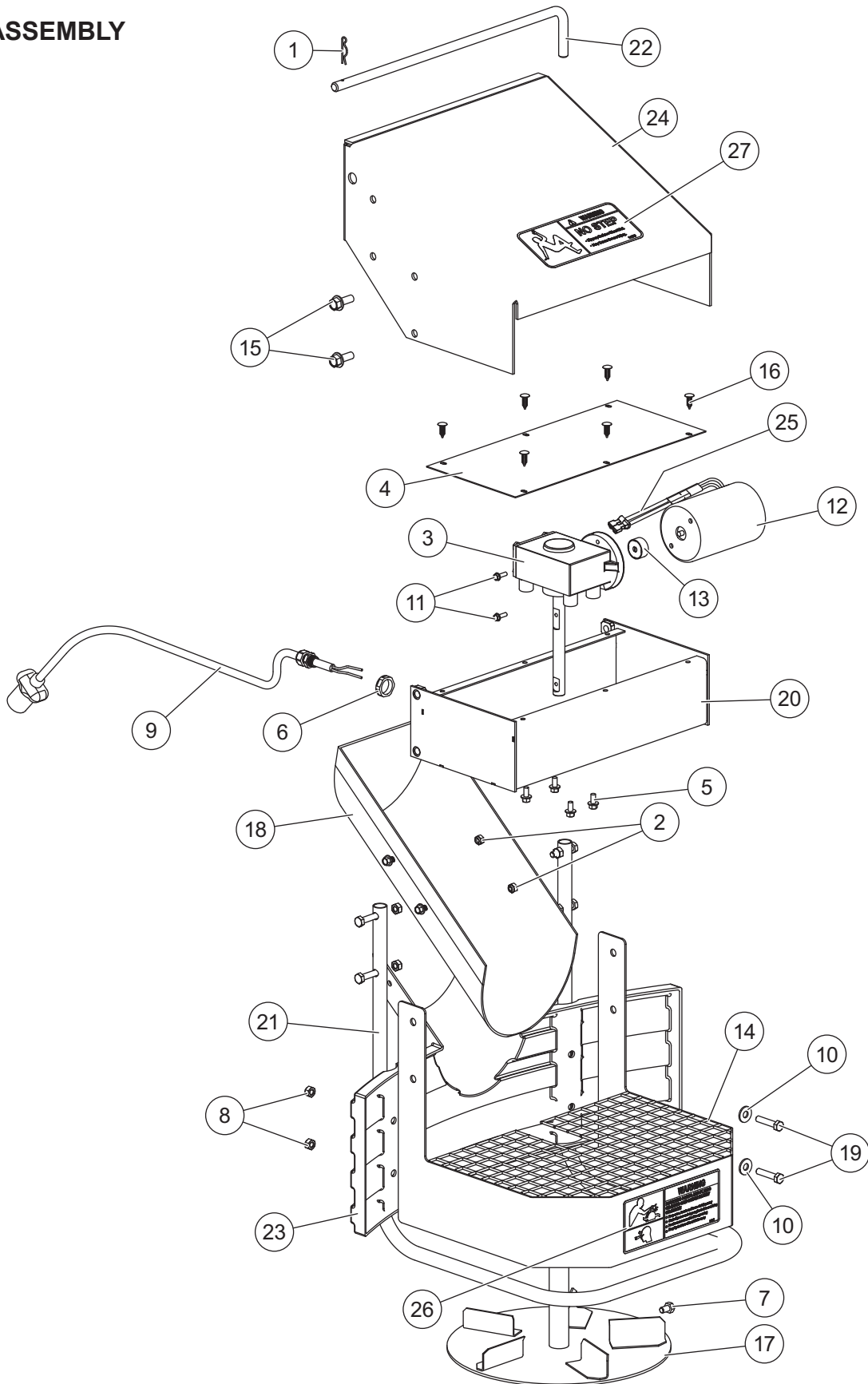
## SP-2000 UTV HOPPER SPREADER

Auger Assembly							
Item	Part	Qty	Description	Item	Part	Qty	Description
1	51031	4	1/4-20 x 3/4 Serrated Flange Hex Cap Screw SS	14	51074	4	1/2-13 x 1 Serrated Flange Hex Cap Screw
2	91332	1	5/16-18 Hex Locknut GB	15	51076	1	Auger Drive Frame
3	51034	1	5/16-18 x 3/8 Set Screw	16	51077	1	Auger Motor Cover
4	88266	2	#10-32 Hex Locknut	17	51087	1	Auger
5	51035	2	#10-32 x 2 Hex Cap Screw SS	18	51090	1	Transmission 30:1
6	90313	1	5/16 Flat Washer	19	51092	8	3/8-16 Serrated Flange Nut
7	68494	1	5/16-18 x 1 Hex Cap Screw G5	20	51096	1	Spinner Motor Connector
8	51039	2	#10-32 x 5/8 Serrated Flange Hex Cap Screw w/Patch	21	88269	1	Lower Rail Mount Bracket, Right
9	51040	1	3" 12V DC Motor w/2-Pin Connector	22	51098	1	Lower Rail Mount Bracket, Left
10	51041	1	Motor Drive Coupler	23	51101	1	1/2 NPT Nut Black Nylon
11	51043	1	5/8 Bearing 4 Bolt Flange	24	93106	1	Label – Warning, Read Manual
12	51050	6	1/4 x 3/4 x 1/2 Push Retainer	25*	51107	1	Auger Tube Restrictor Kit
13	51051	1	3/8 Wire Clamp	26	93114	1	Label – Warning, Rotating Auger
				27	93115	1	Label – Warning, Do Not Remove
				28	11100	1	Label – Warning, Rear Camera
<b>Item 25*</b>				<b>51107 Auger Tube Restrictor Kit</b>			
1	51031	4	1/4-20 x 3/4 Serrated Flange Hex Cap Screw SS	31	88278	1	Material Baffle
2	91332	2	5/16-18 Hex Locknut GB	32	88276	1	End Cap, Auger Tube
6	90313	2	5/16 Flat Washer	33	88281	1	Edge Grip Seal, 36"
7	68494	2	5/16-18 x 1 Hex Cap Screw G5	34	88282	1	1-1/4 Adhesive-Back Foam, 18"
29	88275	1	Auger Tube	35	50969	4	1/4 Flat Washer SS
30	88277	1	Gate Slide, Auger Tube	36	50970	4	1/4-20 Hex Locknut Waxed SS
				37	88274	1	1/4-20 Wing Nut SS
SS = Stainless Steel				G = Grade			

\* = Accessory Only

# SP-2000 UTV HOPPER SPREADER

## DRIVE ASSEMBLY

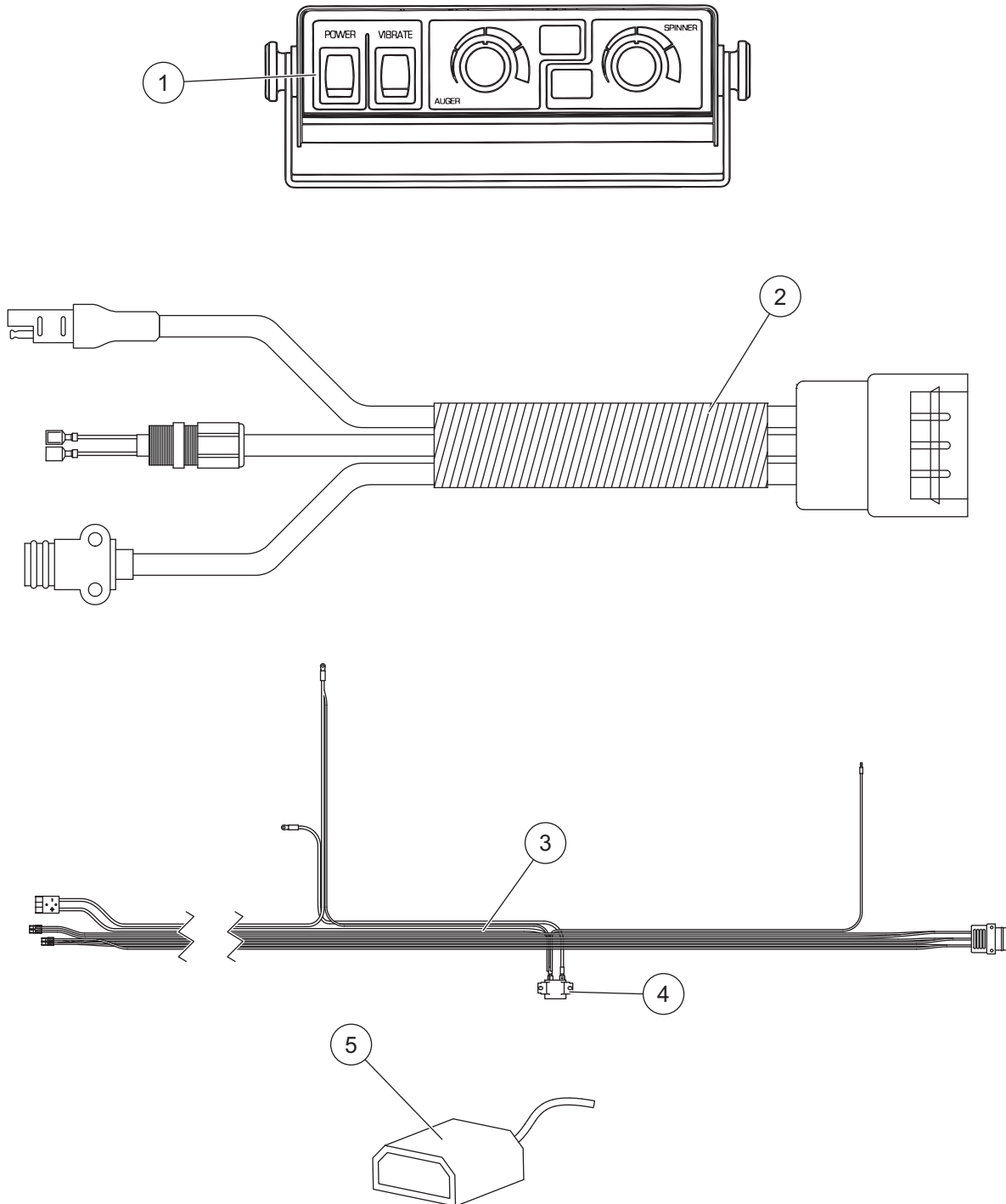


## SP-2000 UTV HOPPER SPREADER

76385 Drive Assembly							
Item	Part	Qty	Description	Item	Part	Qty	Description
1	51024	1	0.093 x 2-3/8 Hairpin Cotter	14	93112	1	Spinner Guard
2	91331	4	1/4-20 Hex Locknut GB	15	51049	4	3/8-16 x 1 Serrated Flange Hex Cap Screw Type F
3	51028	1	Transmission 8:1				
4	51029	1	Spinner Drive Enclosure	16	51050	6	1/4 x 3/4 x 1/2 Push Retainer
5	51030	2	1/4-20 x 1/2 Serrated Flange Hex Cap Screw SS	17	51069	1	Spinner w/Extended Shaft 12"
6	51101	1	1/2 NPT Nut Black Nylon	18	51070	1	Material Chute
7	51032	1	5/16-18 x 1/2 Hex Cap Screw G5	19	51072	8	5/16-18 x 1-1/2 Tapping Screw
8	91332	8	5/16-18 Hex Locknut GB	20	51080	1	Spinner Drive Enclosure
9	51036	1	Power Cable	21	51081	1	Tubular Spinner Guard
10	90313	4	5/16 Flat Washer	22	93123	1	Bent Pin
11	51039	2	#10-32 x 5/8 Serrated Flange Hex Cap Screw w/Patch	23	51089	1	Spinner Deflector
12	51040	1	3" 12V DC Motor w/2-Pin	24	51091	1	Drive Enclosure Shroud
13	51041	1	Motor Drive Coupler	25	51097	1	Auger Motor Connector
				26	93109	1	Label – Warning, Rotating Parts
				27	93110	1	Label – Warning, No Step
SS = Stainless Steel				G = Grade			

# SP-2000 UTV HOPPER SPREADER

## ELECTRICAL COMPONENTS



Not drawn to scale.



## SP-2000 UTV HOPPER SPREADER

---

Electrical Components							
Item	Part	Qty	Description	Item	Part	Qty	Description
1	D6527	1	Spreader Control	4	72514	1	75A Power Relay
2	51067	1	Spreader Harness	5	93113	1	Harness Dust Cover
3	93111	1	Vehicle Harness				

# SP-2000 UTV HOPPER SPREADER

---



TrynEx International  
531 Ajax Drive  
Madison Heights, MI 48071-2429  
[www.snowexproducts.com](http://www.snowexproducts.com)

 A DIVISION OF DOUGLAS DYNAMICS, LLC

Copyright © 2019 Douglas Dynamics, LLC. All rights reserved. This material may not be reproduced or copied, in whole or in part, in any printed, mechanical, electronic, film, or other distribution and storage media, without the written consent of TrynEx International, LLC. Authorization to photocopy items for internal or personal use by TrynEx International outlets or spreader owner is granted.

TrynEx International reserves the right under its product improvement policy to change construction or design details and furnish equipment when so altered without reference to illustrations or specifications used. TrynEx International or the vehicle manufacturer may require or recommend optional equipment for spreaders. Do not exceed vehicle ratings with a spreader. TrynEx International offers a limited warranty for all spreaders and accessories. See separately printed page for this important information. The following is a registered (®) trademark of Douglas Dynamics, LLC: SnowEx®.

**Printed in U.S.A.**