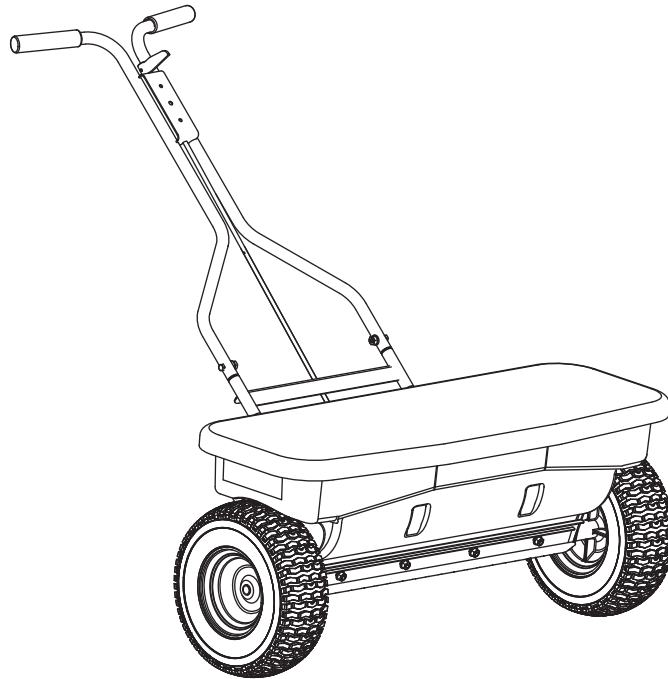




Walk-Behind Drop Spreader

SD-95 & SD-95SS

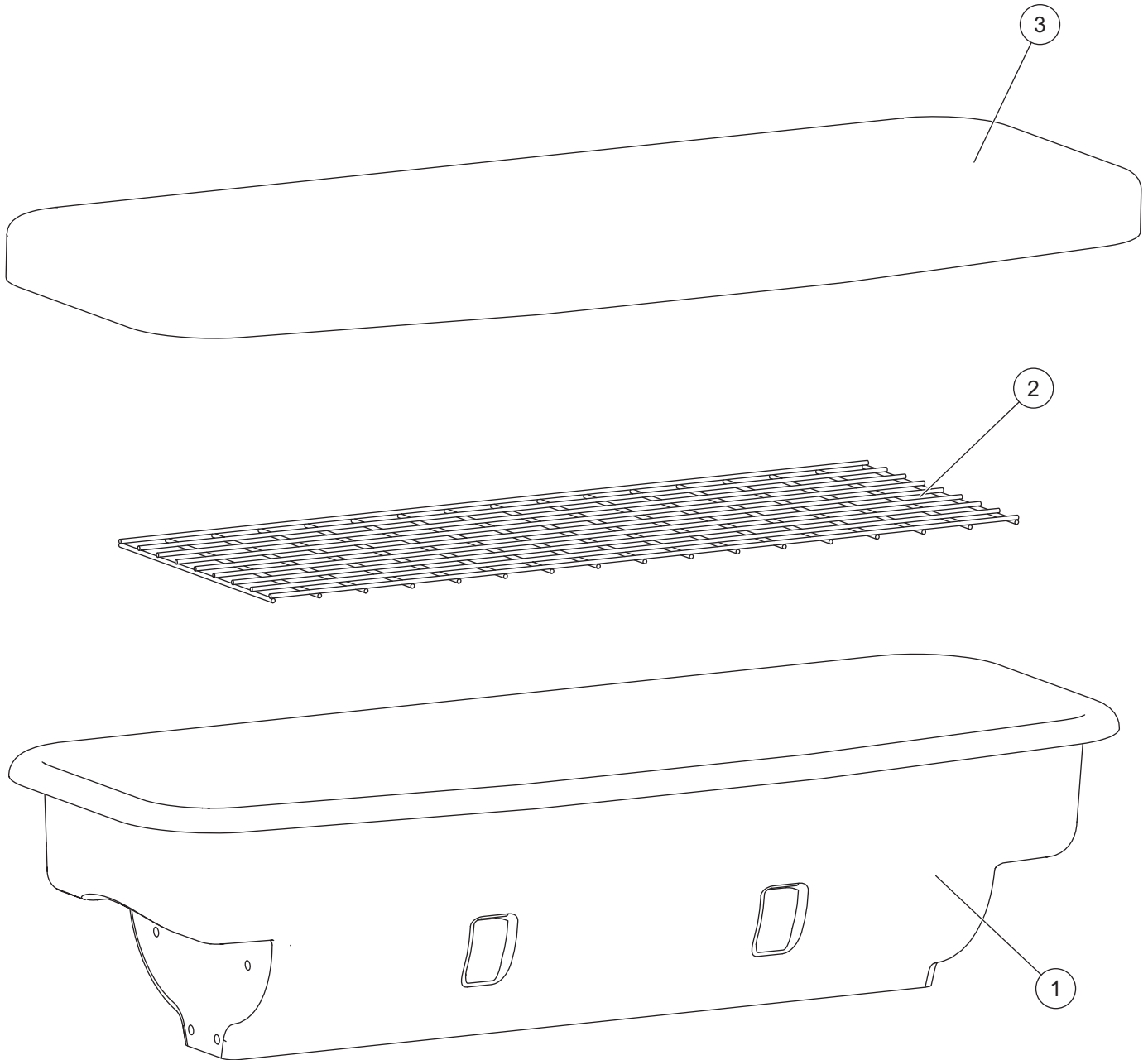
Parts List



This document is for SnowEx® SD-95 and SD-95SS walk-behind drop spreaders beginning with serial numbers PF-101257 and higher, or PG-100265 and higher.

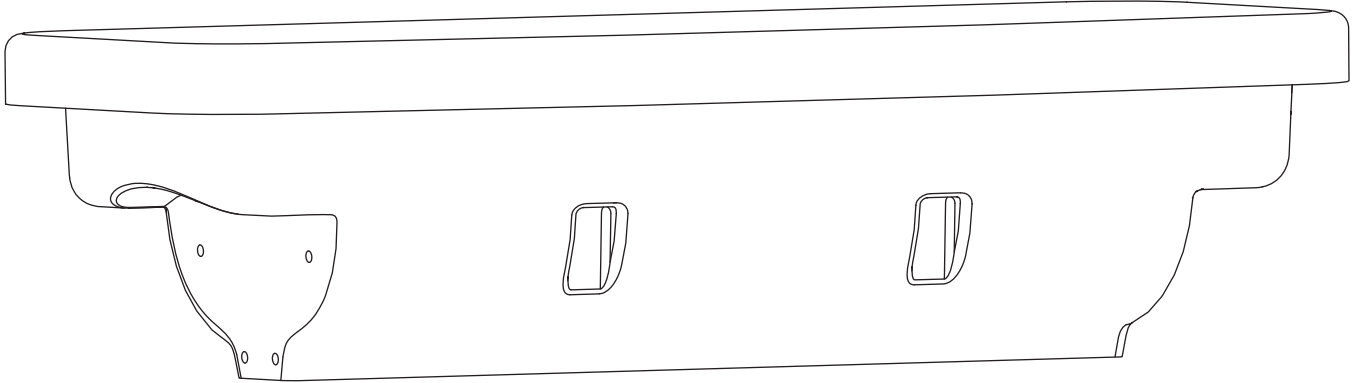
SD-95 & SD-95SS WALK-BEHIND DROP SPREADER

HOPPER ASSEMBLY: MODEL SD-95/SD-95SS



SD-95 & SD-95SS WALK-BEHIND DROP SPREADER

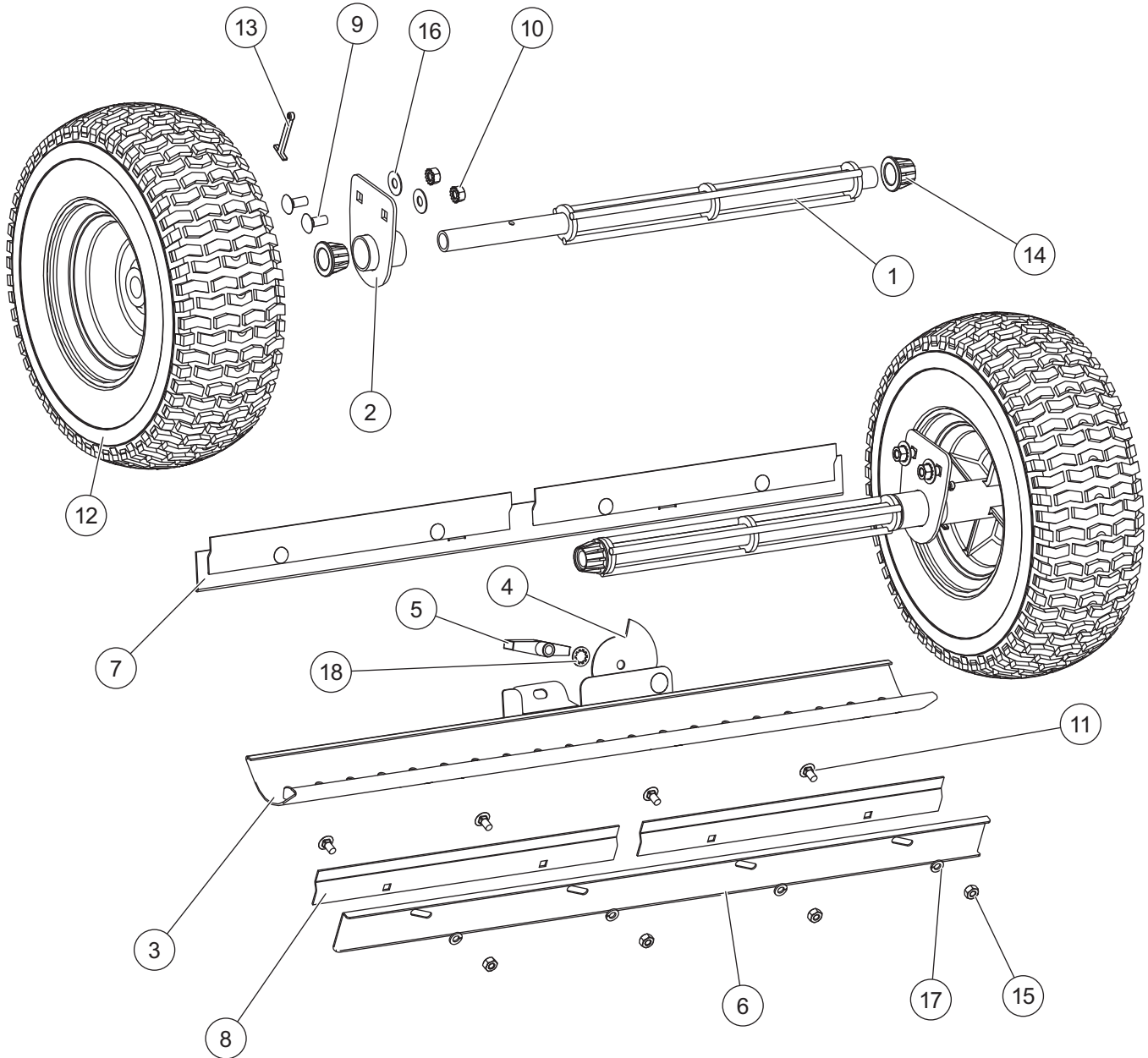
HOPPER ASSEMBLY: MODEL SD-95/SD-95SS



Hopper Assembly – SD-95/SD95SS							
Item	Part	Qty	Description	Item	Part	Qty	Description
1	D5000	1	Hopper	3	D5020	1	Clear Cover
2	D5008	1	Screen				

SD-95 WALK-BEHIND DROP SPREADER

LOWER AXLE ASSEMBLY: MODEL SD-95



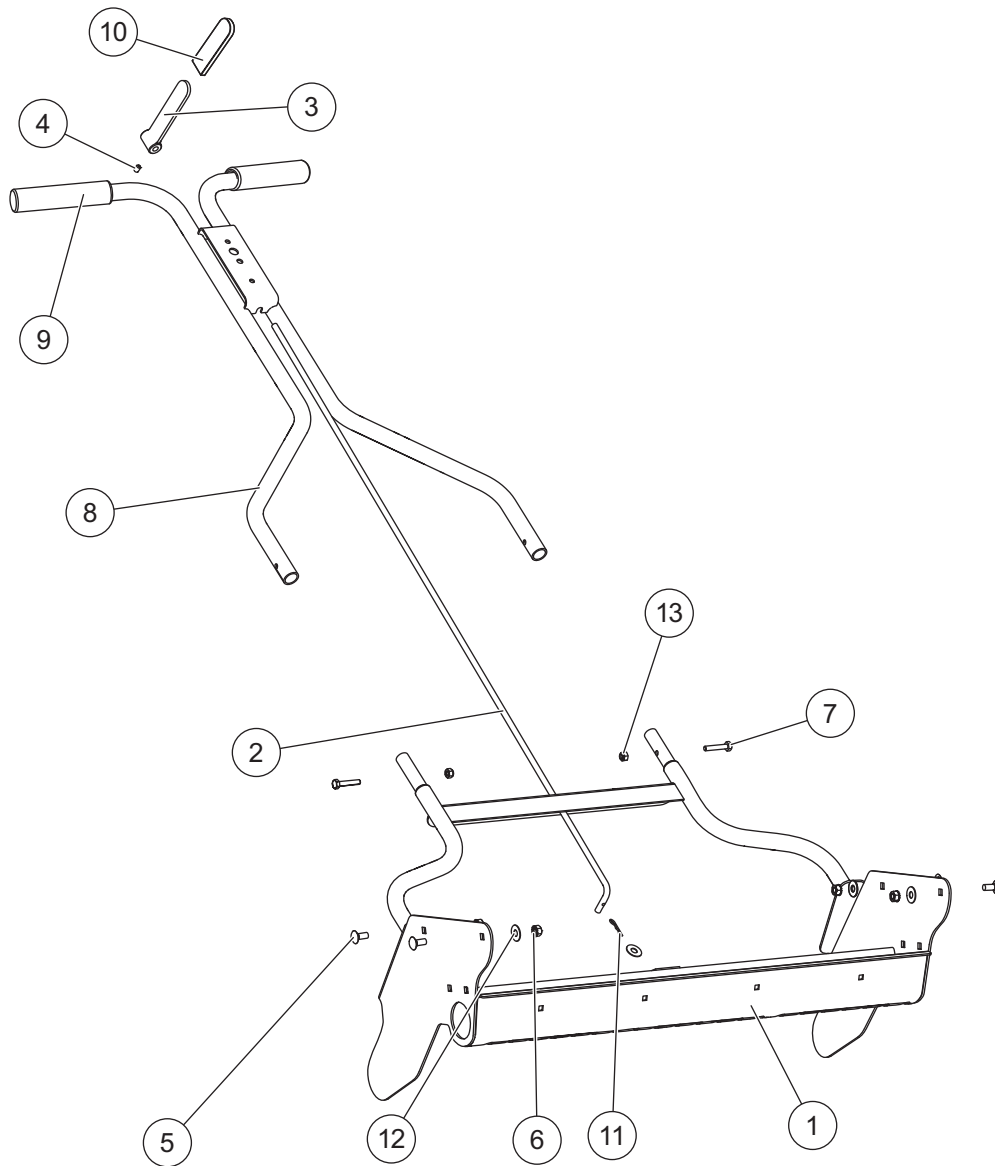
Handle Assembly – SD-95

Item	Part	Qty	Description	Item	Part	Qty	Description
1	D5001	2	Agitator Bar	10	D5023	4	5/16 Keps Nut SS
2	D5003	2	Bearing Bracket	11	D5024	8	1/4-20 x 1/2 Carriage Bolt SS
3	D5005	1	Slide Gate	12	D5904	2	Wheel
4	D5006	1	Calibration Cam	13	D5919	2	3/16 x 2 Cotter Pin SS
5	D5007	1	5/16-18 T-Handle Knob	14	D5923	4	Axle Bushing
6	D5009	1	Adjustment Angle	15	D5942	8	1/4-20 Hex Nut SS
7	D5010	1	Stop Angle	16	D5949	4	5/16 Flat Washer SS
8	D5014	4	Clamp Cleat	17	D6134	8	1/4 Lock Washer SS
9	D5022	4	5/16-18 x 3/4 Carriage Bolt SS	18	D7173	1	3/8 Internal Tooth Lock Washer SS

SS = Stainless Steel

SD-95 WALK-BEHIND DROP SPREADER

MAIN FRAME ASSEMBLY: MODEL SD-95

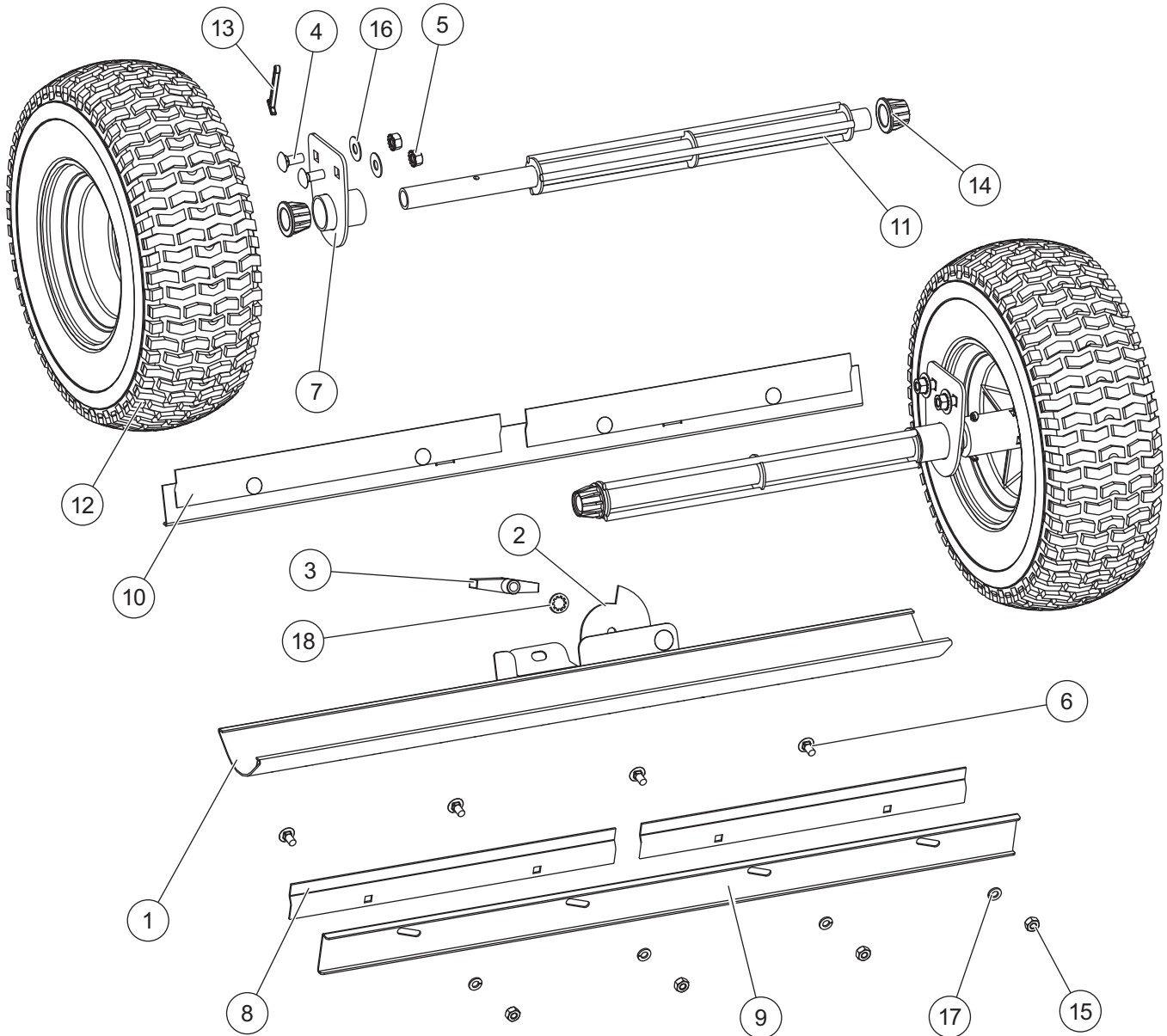


Main Frame Assembly Components – SD-95

Item	Part	Qty	Description	Item	Part	Qty	Description
1	D5002	1	Main Frame	8	D5908	1	Handle Assembly
2	D5004	1	Actuator Rod	9	D5917	2	Handle Grip
3	D5011	1	Operator Lever	10	D5929	1	Handle Cover
4	D5012	1	1/4-20 x 3/8 Set Screw Socket Plain	11	D5945	1	Hairpin Clip, 0.0585
5	D5022	4	5/16-18 x 3/4 Carriage Bolt SS	12	D5949	5	5/16 Washer
6	D5023	4	5/16-18 Keps Nut SS	13	T15016	2	1/4-20 Hex Locknut GB SS
7	D5907	2	1/4-20 x 1-3/8 Hex Cap Screw SS				
SS = Stainless Steel				G = Grade			

SD-95SS WALK-BEHIND DROP SPREADER

HANDLE ASSEMBLY: MODEL SD-95SS

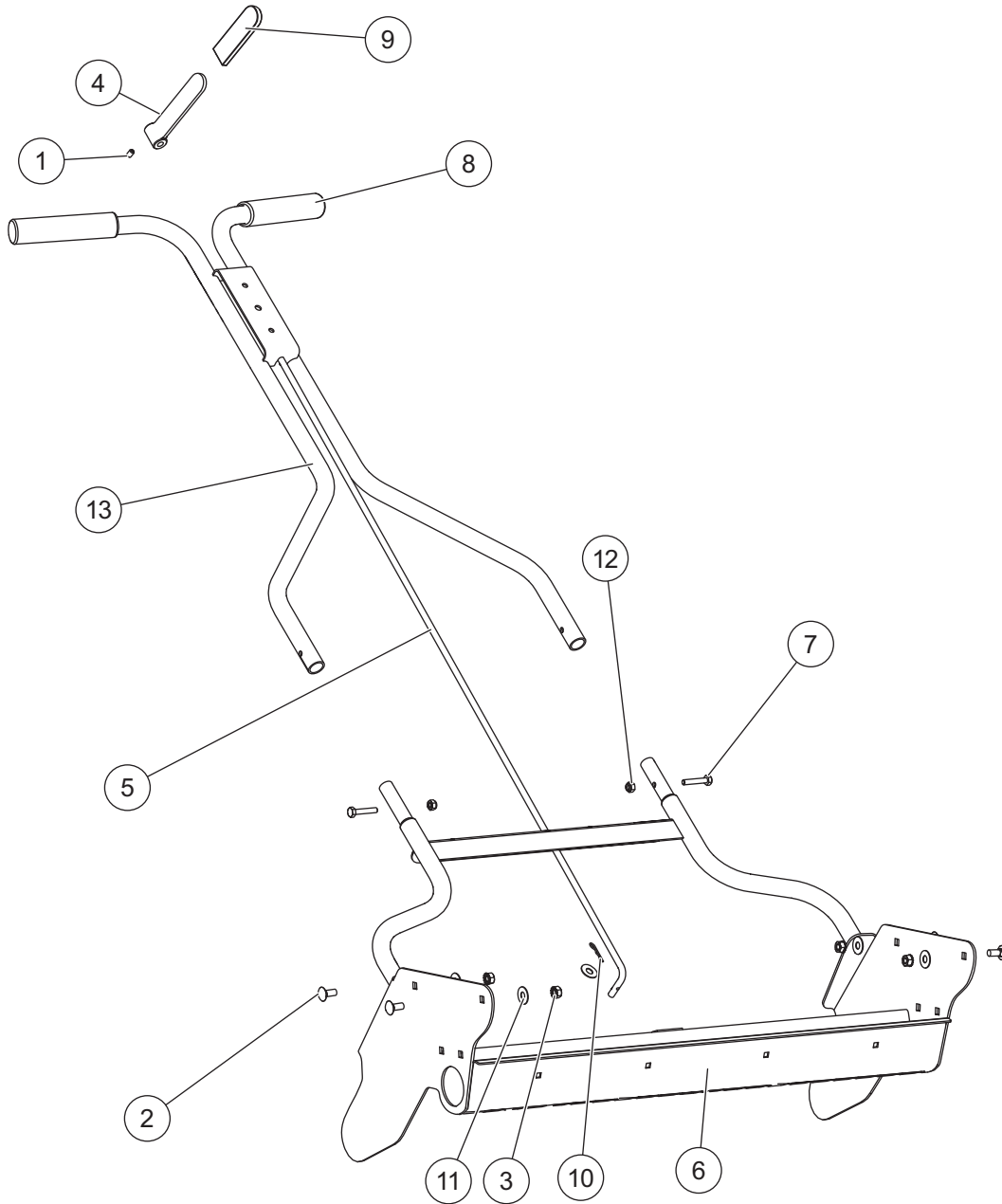


Handle Assembly – SD-95SS							
Item	Part	Qty	Description	Item	Part	Qty	Description
1	D5005	1	Slide Gate	10	D5376	1	Gate Mount Bracket, SS
2	D5006	1	Calibration Cam	11	D5379	2	Agitator Axle
3	D5007	1	5/16-18 T-Handle Knob	12	D5904	2	Wheel
4	D5022	4	5/16-18 x 3/4 Carriage Bolt SS	13	D5919	2	3/16 x 2 Cotter Pin SS
5	D5023	4	5/16 Keps Nut SS	14	D5923	4	Axle Bushing
6	D5024	8	1/4-20 x 1/2 Carriage Bolt SS	15	D5942	8	1/4-20 Hex Nut SS
7	D5373	2	Bearing Bracket	16	D5949	4	5/16 Flat Washer SS
8	D5374	4	Clamp Cleat	17	D6134	8	1/4 Lock Washer SS
9	D5375	1	Adjust Angle	18	D7173	1	3/8 Internal Tooth Lock Washer SS

SS = Stainless Steel

SD-95SS WALK-BEHIND DROP SPREADER

MAIN FRAME ASSEMBLY COMPONENTS: MODEL SD-95SS



Main Frame Assembly Components – SD-95SS							
Item	Part	Qty	Description	Item	Part	Qty	Description
1	D5012	1	1/4-20 x 3/8 Set Screw Socket Plain	8	D5917	2	Handle Grip
2	D5022	4	5/16-18 x 3/4 Carriage Bolt SS	9	D5929	1	Handle Cover
3	D5023	4	5/16-18 Keps Nut SS	10	D5945	1	Hairpin Clip, 0.0585
4	D5358	1	Operator Lever	11	D5949	5	5/16 Washer
5	D5359	1	43" Actuator Rod SS	12	T15016	2	1/4-20 Hex Locknut GB SS
6	D5372	1	Main Frame	13	T30153	1	Handle Assembly
7	D5907	2	1/4-20 x 1-3/8 Hex Cap Screw SS				
SS = Stainless Steel				G = Grade			



TrynEx International
531 Ajax Drive
Madison Heights, MI 48071-2429
www.snowexproducts.com

 A DIVISION OF DOUGLAS DYNAMICS, LLC

Copyright © 2017 Douglas Dynamics, LLC. All rights reserved. This material may not be reproduced or copied, in whole or in part, in any printed, mechanical, electronic, film, or other distribution and storage media, without the written consent of TrynEx International, LLC. Authorization to photocopy items for internal or personal use by TrynEx International outlets or spreader owner is granted.

TrynEx International reserves the right under its product improvement policy to change construction or design details and furnish equipment when so altered without reference to illustrations or specifications used. TrynEx International may require or recommend optional equipment for spreaders. TrynEx International offers a limited warranty for all spreaders and accessories. See separately printed page for this important information. The following are registered (®) trademarks of Douglas Dynamics, LLC: SnowEx®.

Printed in U.S.A.