

This Manual Must Be Read Before Operating The Equipment

Owner / Operator's Manual



LEADERS IN ICE CONTROL

FOR MODELS

SP-725G

SP-1225G



Madison Heights, Michigan 48071
800-725-8377
www.snowexproducts.com

Customers Copy

Table of Contents



General Information	3
Introduction	4
Safety	5
Operating the Spreader	6-7
Spreader Maintenance	8
Assembly Instructions.....	9
Warranty	10
Side and Bottom View Model # SP-725G/SP-1225G	11
Frame Assembly Parts Breakdown	
Model # SP-725G	12-13
Model # SP-1225G	14-15
Drive Assembly Parts Breakdown	16-17
Notes	20-21

Have a question or need assistance?

SnowEx Customer Care

(800) 725-8377

or (248) 586-3500

Monday through Friday 8:00 AM to 4:30 PM EST

Fax: (248) 691-8378

E-Mail: customercare@trynexusfactory.com

Website: www.snowexproducts.com



General Information



CONGRATULATIONS!

The spreader you have purchased is an example of snow and ice control technology at its finest! Your spreader's self-contained design is a trademark of all SnowEx products. Here's why...

SIMPLICITY: Fewer moving parts manufactured of higher quality means minimal maintenance for your SnowEx spreader.

RELIABILITY: High impact linear low density polyethylene hopper. State-of-the-art electronic dual variable speed control, custom engineered powder coated frame, maximum torque 12-volt motor coupled to a custom engineered transmission; found only on SnowEx products.

VERSATILITY: Multi-use capabilities allows spreading of a variety of materials for snow and ice control.

WARRANTY: Best in the industry, hands down! 2 years standard and now 5 year extended (optional).

The benefits you are about to recognize are that of time, money and effort. We welcome you to the world of SnowEx Performance.

Registration

Record the following information in this manual for quick reference.

Spreader Model Number _____

Spreader Serial Number _____

Date of Purchase _____

Dealer Where Purchased _____

When ordering Parts, the above information is necessary. This will help to see that you receive the correct parts.

At the right is a diagram of the ID tag. This tag on the spreader is located on the frame.

Please fill out the warranty card with all the necessary information to validate it. This will also give us a record so that any safety or service information can be communicated to you.



This manual has been designed for your help. It will assist you and instruct you on the proper set-up, installation and use of this spreader.

Refer to the table of contents for an outline of this manual.

We require that you read and understand the contents of this manual completely (especially all safety information) before attempting any procedure contained herein.



THIS SIGN SHOULD ALERT YOU:

The Society of Automotive Engineers has adopted this **SAFETY ALERT SYMBOL** to pinpoint characteristics that, if **NOT** carefully followed, can create a safety hazard. When you see this symbol in this manual or on the machine itself, **BE ALERT!** Your personal safety and the safety of others is involved.

Defined below are the **SAFETY ALERT** messages and how they will appear in this manual:



DANGER

(RED)

Information that, if not carefully followed, can cause death!



WARNING

(ORANGE)

Information that, if not carefully followed, can cause serious personal injury or death!



CAUTION

(YELLOW)

Information that, if not carefully followed, can cause minor injury or damage to equipment



Before attempting any procedure in this book, these safety instructions must be read and understood by all workers who have any part in the preparation or use of this equipment.

For your safety warning and information decals have been placed on this product to remind the operator of safety precautions . If anything happens to mark or destroy the decals, please request new ones from SnowEx.



Remember, most accidents are preventable and caused by human error. Exercising of care and precautions must be observed to prevent the possibility of injury to operator or others!

Never operate equipment when under the influence of alcohol, drugs, or medications that might alter your judgment and/or reaction time.

Before working with the spreader, secure all loose fitting clothing and unrestrained hair.

Always wear safety glasses with side shields when servicing spreader. Failure to do this could result in serious injury to the eyes.

Never allow children to operate or climb on equipment.

Always check areas to be spread to be sure no hazardous conditions or substances are in the area.

Always inspect unit for defects: broken, worn or bent parts, weakened areas on spreader.

Remember it is the owner's responsibility to communicate information on safe usage and proper maintenance of all equipment.

Always make sure personnel are clear of areas of danger when using equipment.

Never weld or grind on equipment without having a fire extinguisher available.

Inspect the unit periodically for defects. Parts that are broken, missing or worn out must be replaced immediately. The unit or any part of it can not be altered without prior written permission from the manufacturer.

Always inspect pins whenever attaching or detaching spreader, and before operation of spreader.

Never exceed 10 m.p.h. when loaded spreader is attached to vehicle. Braking distances may be increased and handling characteristics may be impaired at speeds above 10 m.p.h.



Never use wet materials or materials with foreign debris with any of these spreaders. These units are designed to handle dry, clean, free flowing material.

Never leave material in hopper for long periods of time. Be aware that all ice melters are hygroscopic and will attract atmospheric moisture and harden up.

Operating the Spreader

Model # SP-725G/SP-1225G

SPREADER LOADING

WARNING – Do not overload vehicle. Use chart below to calculate weight of material. Weights of material are an average for dry materials.

<u>Material</u>	<u>Weight Per Cubic Ft.</u>
Rock Salt	80-90 lbs.

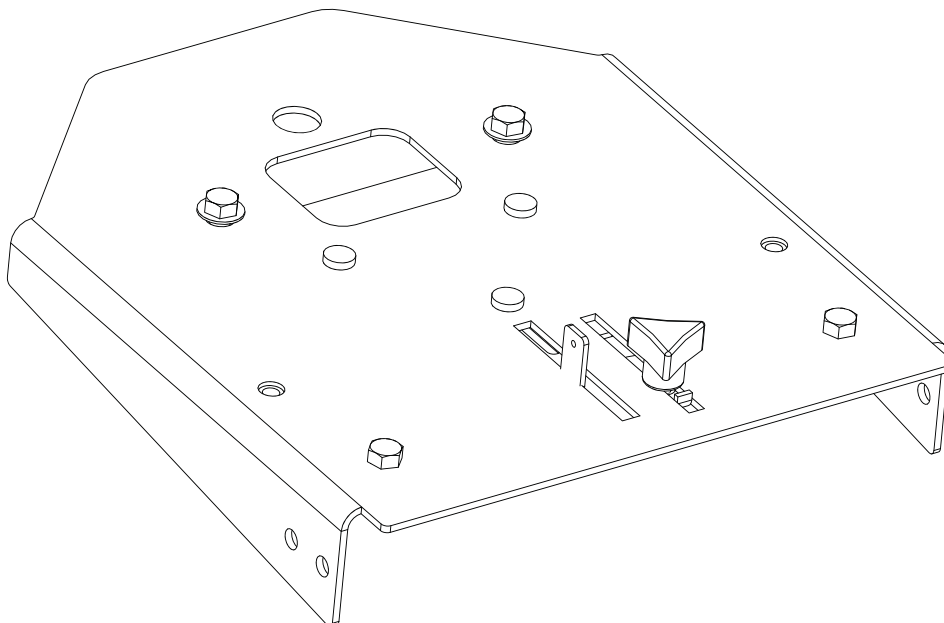
- Warning – Never leave material in hopper for long periods of time as salt is hygroscopic and will attract atmospheric moisture and harden up.

SPREADING TIPS

- Spread ice melters with the storm to prevent unmanageable levels of ice.
- Never exceed 10 m.p.h. when spreading.
- For a wider pass, increase speed.
- For a heavier pass, drive slower.
- Never operate spreader near pedestrians.
- Calculate spread pattern when near vegetation.

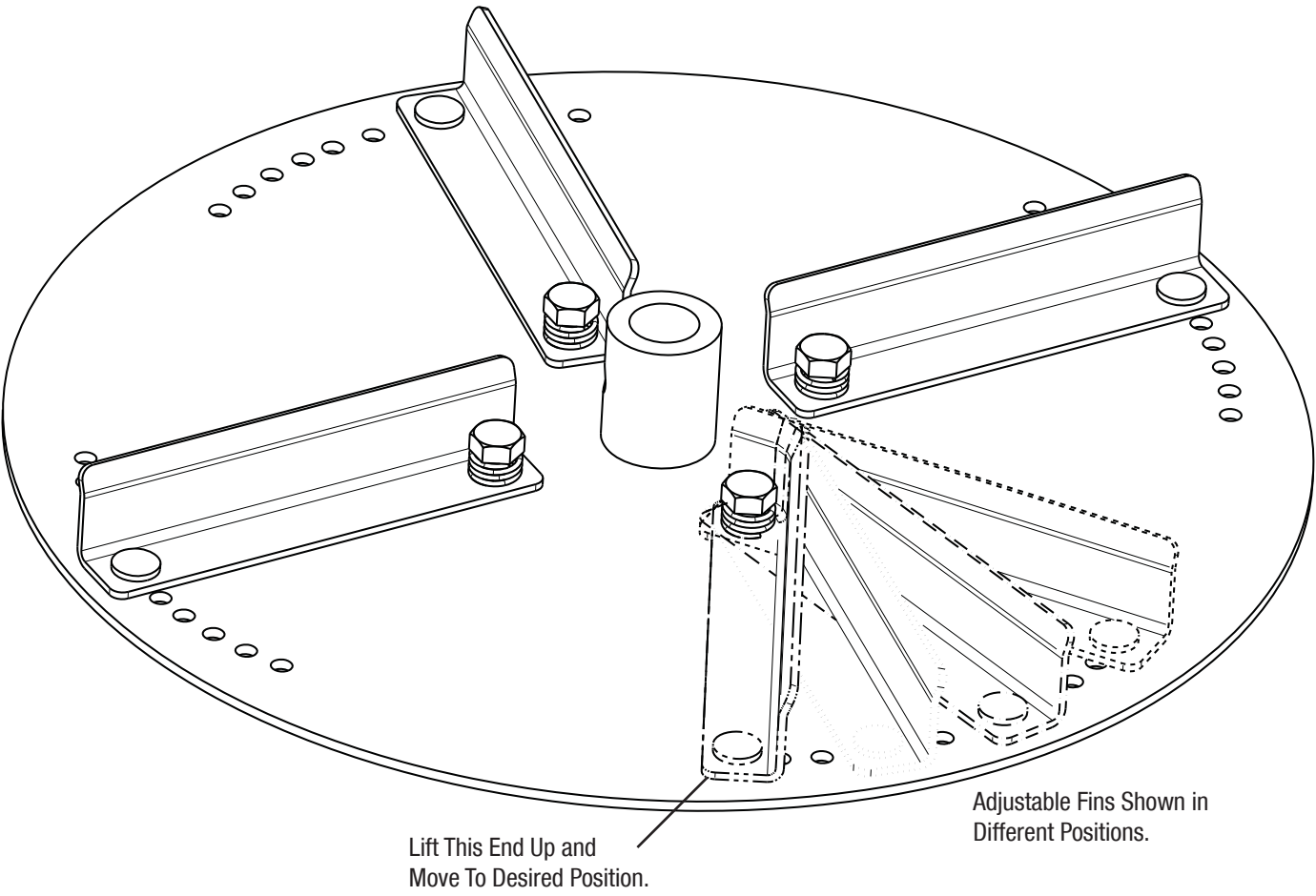
Gate Operation

- 1) To adjust the amount of material flow simply loosen knob and slide to the desired location and retighten knob. (see picture below)



Operating the Spreader (continued)

Model # SP-725G/SP-1225G



The purpose of the adjustable fin is to provide a way to adjust spread patterns with different materials. You can select the desired position by simply lifting up on the outside top edge. You will notice that different materials act in different ways in relation to spinner speed. By moving the fins you will be able to correct most pattern issues without having to sacrifice spinner speed. All adjustments should be made on pavement and positions noted for future reference, this process should be incorporated into your normal calibration process.

Spreader Maintenance

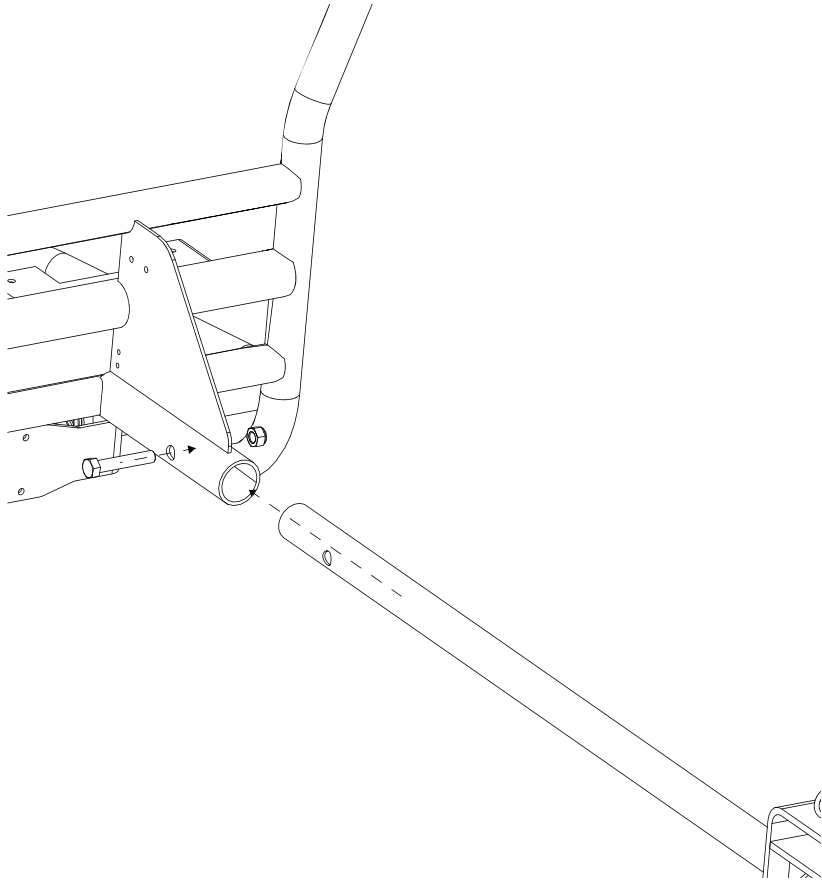
Model # SP-725G/SP-1225G

- **WARNING** – When servicing is necessary, perform it in a protected area. Do not use power tools in rain or snow because of danger of electrical shock or injury. Keep area well lighted. Use proper tools. Keep the area of service clean to help avoid accidents.
- **CAUTION** – When replacing parts use only original manufacturer's parts. Failure to do so will void warranty.
- Gently wash unit after each use to prevent material build-up and corrosion.
- Paint or oil all bare metal surfaces at the end of the season.
- After first use, tighten all nuts and bolts on spreader and mount.
- **WARNING:** Never remove spreader with material in hopper.
- **ATTENTION:** Store control in cool dry place during the off season.

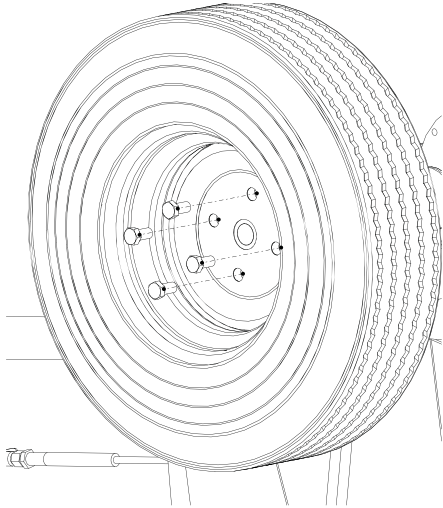
Assembly Instructions

Model # SP-725/SP-1225

1) Slide trailer tongue T30231 into frame and secure with D4126 bolt and D4127 Nylock Nut.



2) Attach wheels using 4 T30230 lug bolt on each wheel.



Limited Warranty

Snowex products are warranted for a period of two years from the date of purchase against defects in material or workmanship under normal use and service, subject to limitations detailed below. Warranty period of two years begins on the date of purchase by the original retail user.

The WARRANTY REGISTRATION CARD must be returned to the manufacturer for this warranty to become effective. This warranty applies to the original retail purchaser only. This warranty does not cover damages caused by improper installation, misuse, lack of proper maintenance, alterations or repairs made by anyone other than authorized Snowex dealers or Snowex personnel. Due to the corrosive properties of the materials dispensed by spreaders, Trynex does not warrant against damage caused by corrosion. Warranty claims by the user must be made to the dealer from where the product was purchased, unless otherwise authorized by Snowex. Snowex reserves the right to determine if any part is defective and to repair or replace such parts as it elects. This warranty does not cover shipping costs of defective parts to or from the dealer.

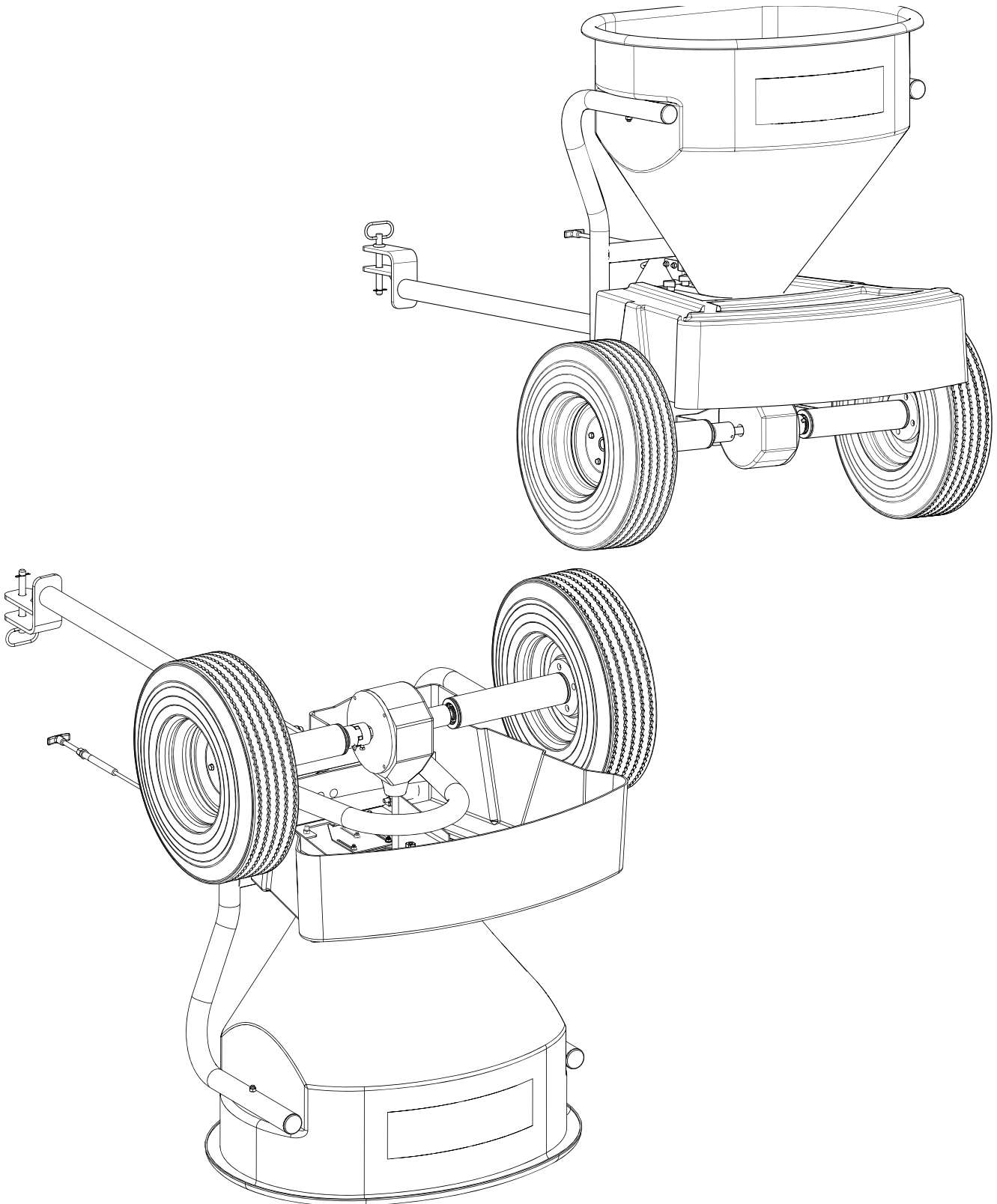
LIMITATION OF LIABILITY

Neither Snowex, nor any company affiliated with it, makes any warranties, representations for promise as to the performance or quality other than what is herein contained. The liability of Snowex to the purchaser for damages arising out of the manufacture, sale, delivery, use or resale of this spreader shall be limited to and shall not exceed the costs of repair or replacement of defective parts. Snowex shall not be liable for loss of use, inconvenience or any other incidental, indirect or consequential damages, so the above limitations on incidental or consequential damages may not apply to you.

NO DEALER HAS AUTHORITY TO MAKE ANY REPRESENTATION OR PROMISE ON BEHALF OF SNOWEX, OR TO ALTER OR MODIFY THE TERMS OR LIMITATIONS OF THIS WARRANTY IN ANY WAY.

Side and Bottom View

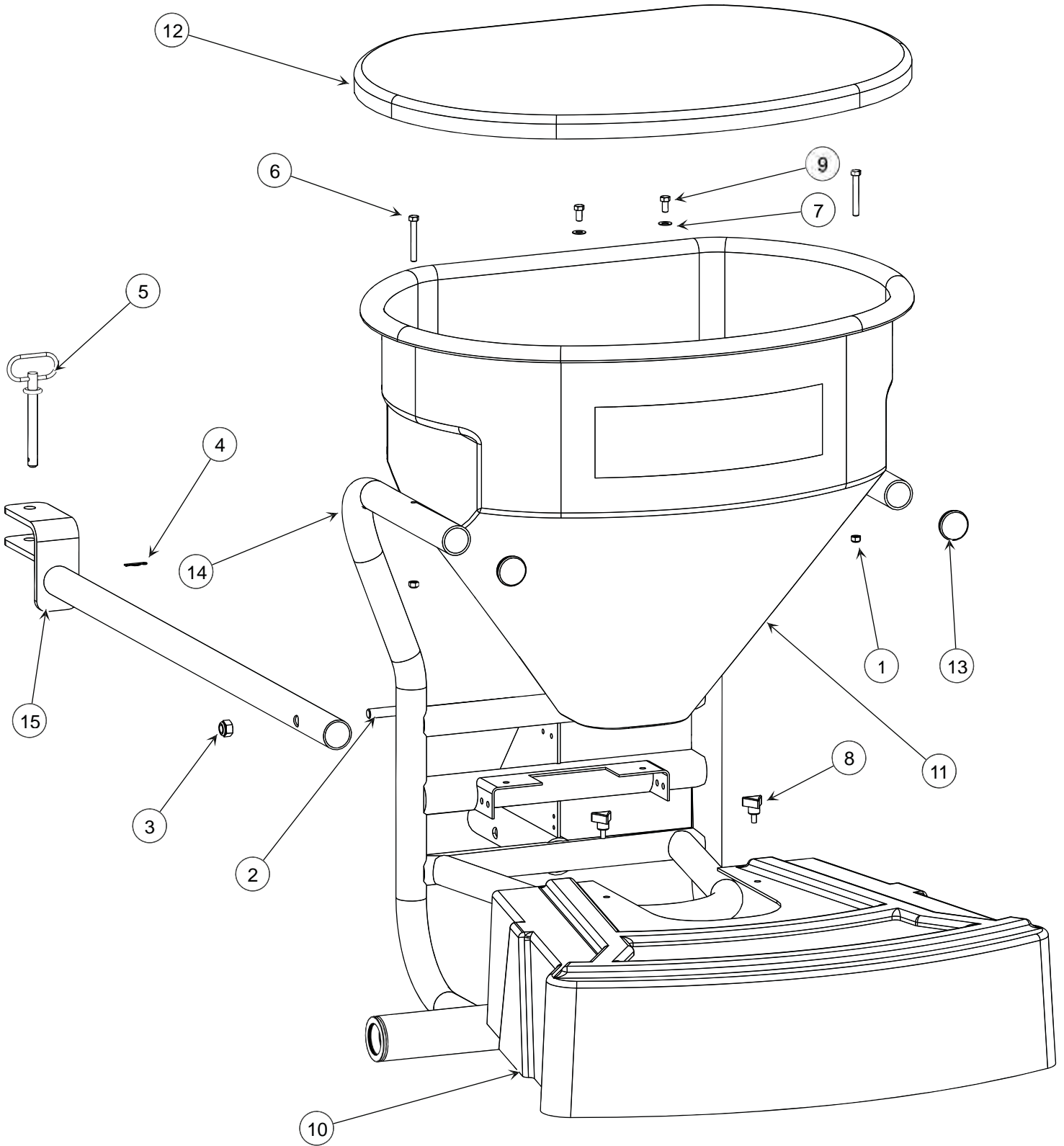
Model # SP-725/SP-1225G



Frame Assembly Parts Breakdown

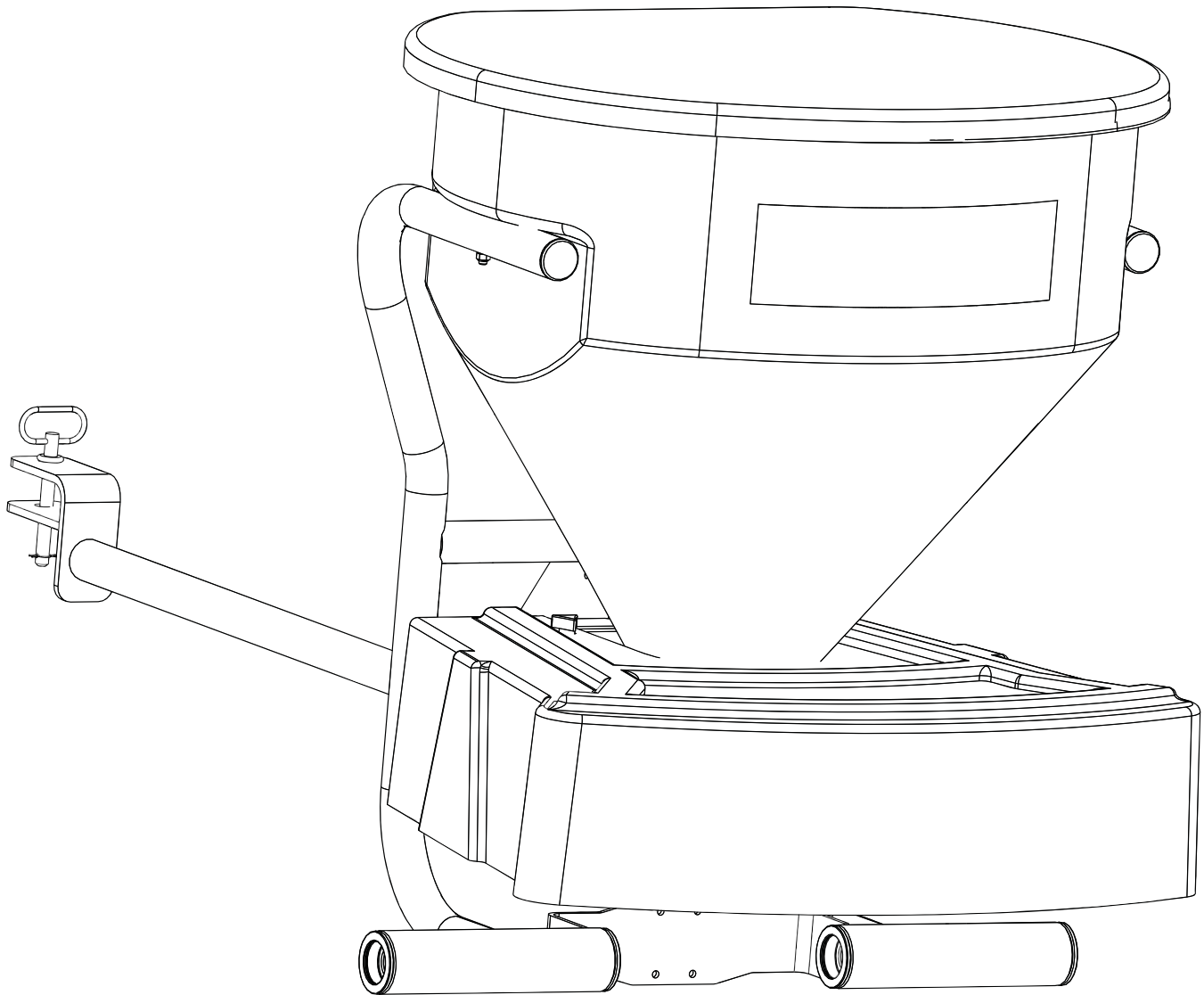


Model # SP-725G



Frame Assembly Parts Breakdown

Model # SP-725G



BOM ID	Description	Qty
1	D4124	2
2	D4126	1
3	D4127	1
4	D4135	1

BOM ID	Description	Qty
5	D4136	1
6	D5724	2
7	D6169	2
8	D6302	2

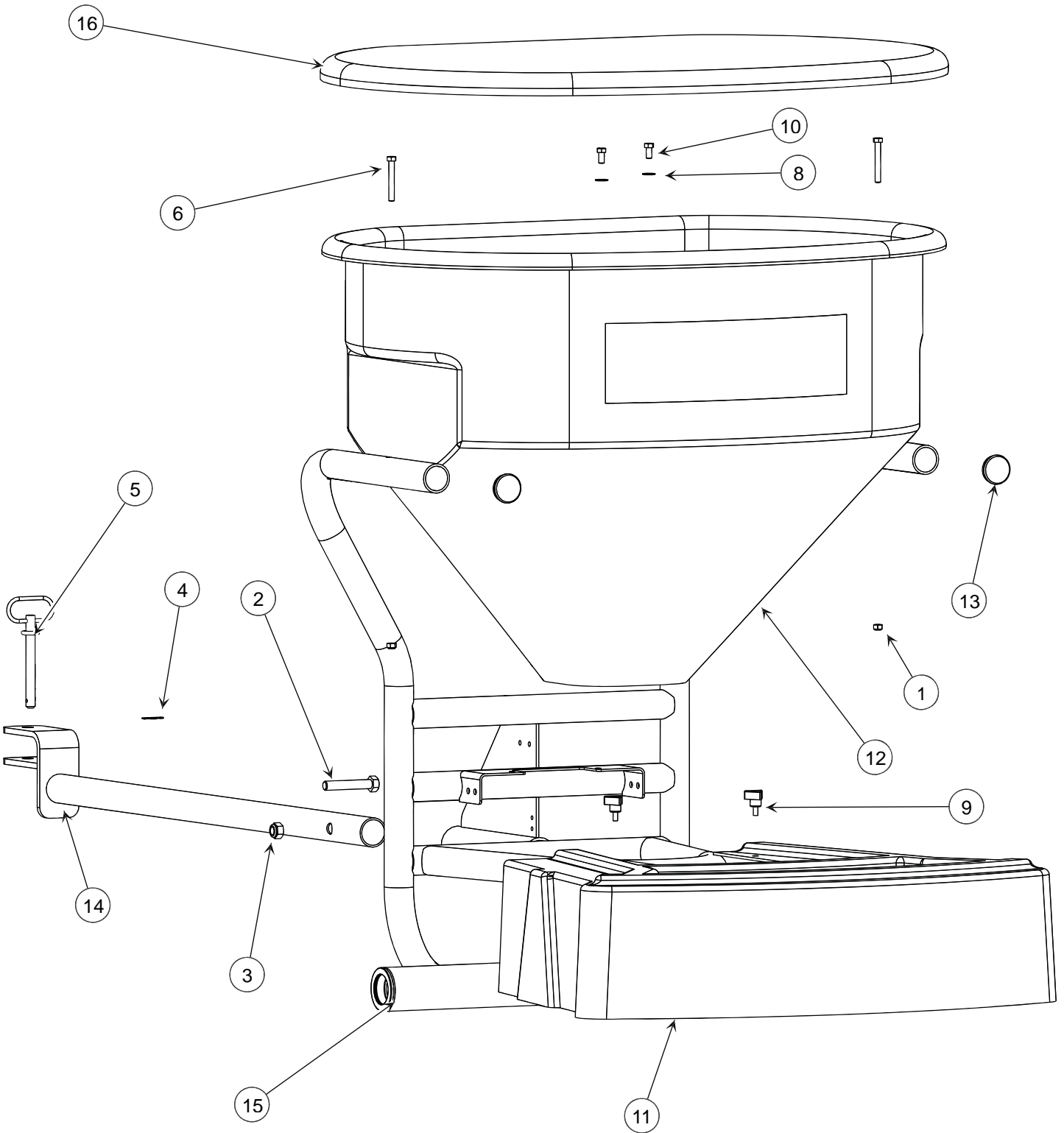
BOM ID	Description	Qty
9	D6978	2
10	F50031	1
11	F50035	1
12	T30215	1

BOM ID	Description	Qty
13	T30219	2
14	T30225	1
15	T30231	1

Frame Assembly Parts Breakdown



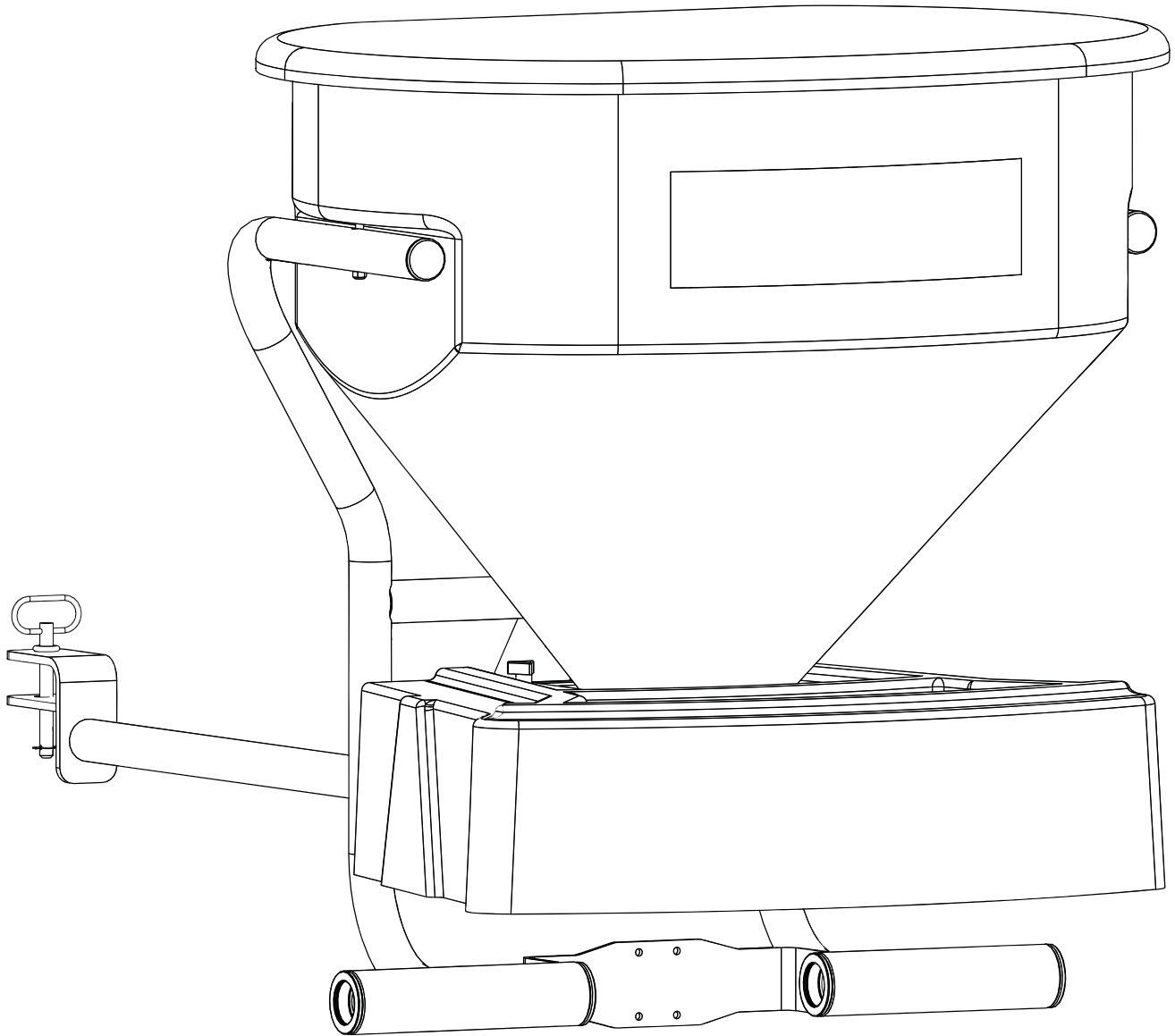
Model # SP-1225G



Frame Assembly Parts Breakdown



Model # SP-1225G



BOM ID	Description	Qty
1	D4124	2
2	D4126	1
3	D4127	1
4	D4135	1

BOM ID	Description	Qty
5	D4136	1
6	D5724	2
8	D6169	2
9	D6302	2

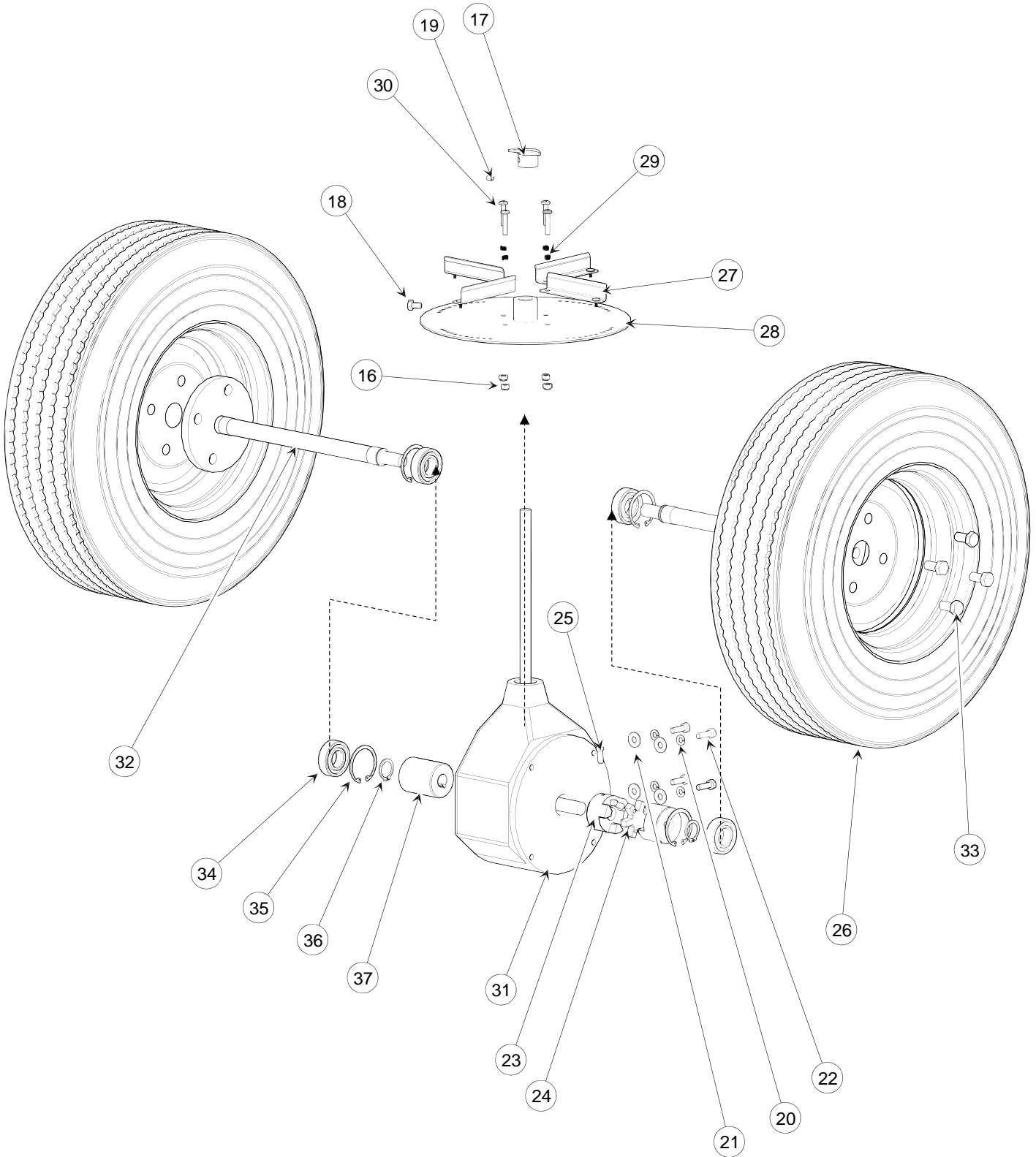
BOM ID	Description	Qty
10	D6978	2
11	F50031	1
12	F50037	1
13	T30219	2

BOM ID	Description	Qty
14	T30231	1
15	T30240	1
16	T30302	1

Drive Assembly Parts Breakdown

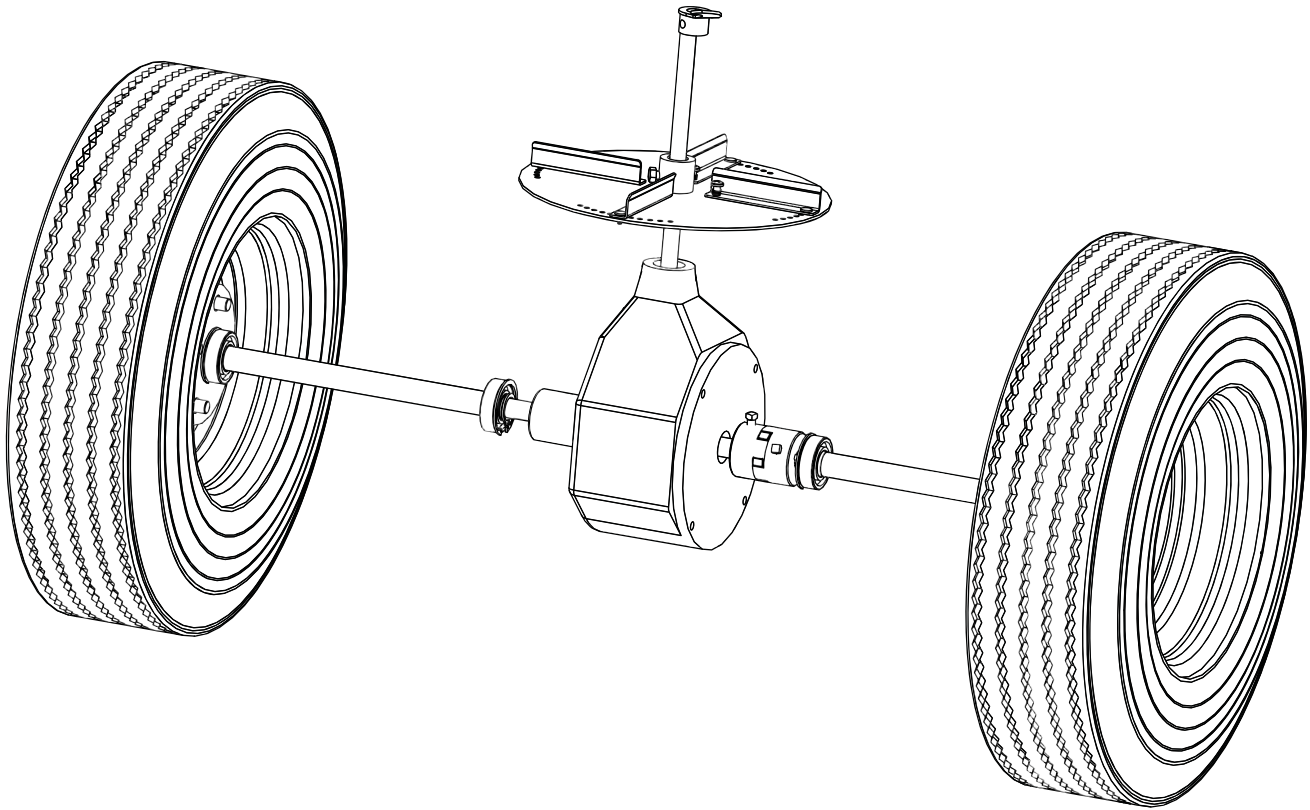


Model # SP-725G/SP-1225G



Drive Assembly Parts Breakdown

Model # SP-725G/SP-1225G



BOM ID	Description	Qty
16	D4289	4
17	D5378	1
18	D6133	1
19	D6140	1
20	D6155	4
21	D6165	4

BOM ID	Description	Qty
22	D6166	4
23	D6842	2
24	D6843	1
25	D7162	2
26	F50034	2
27	T30211	4

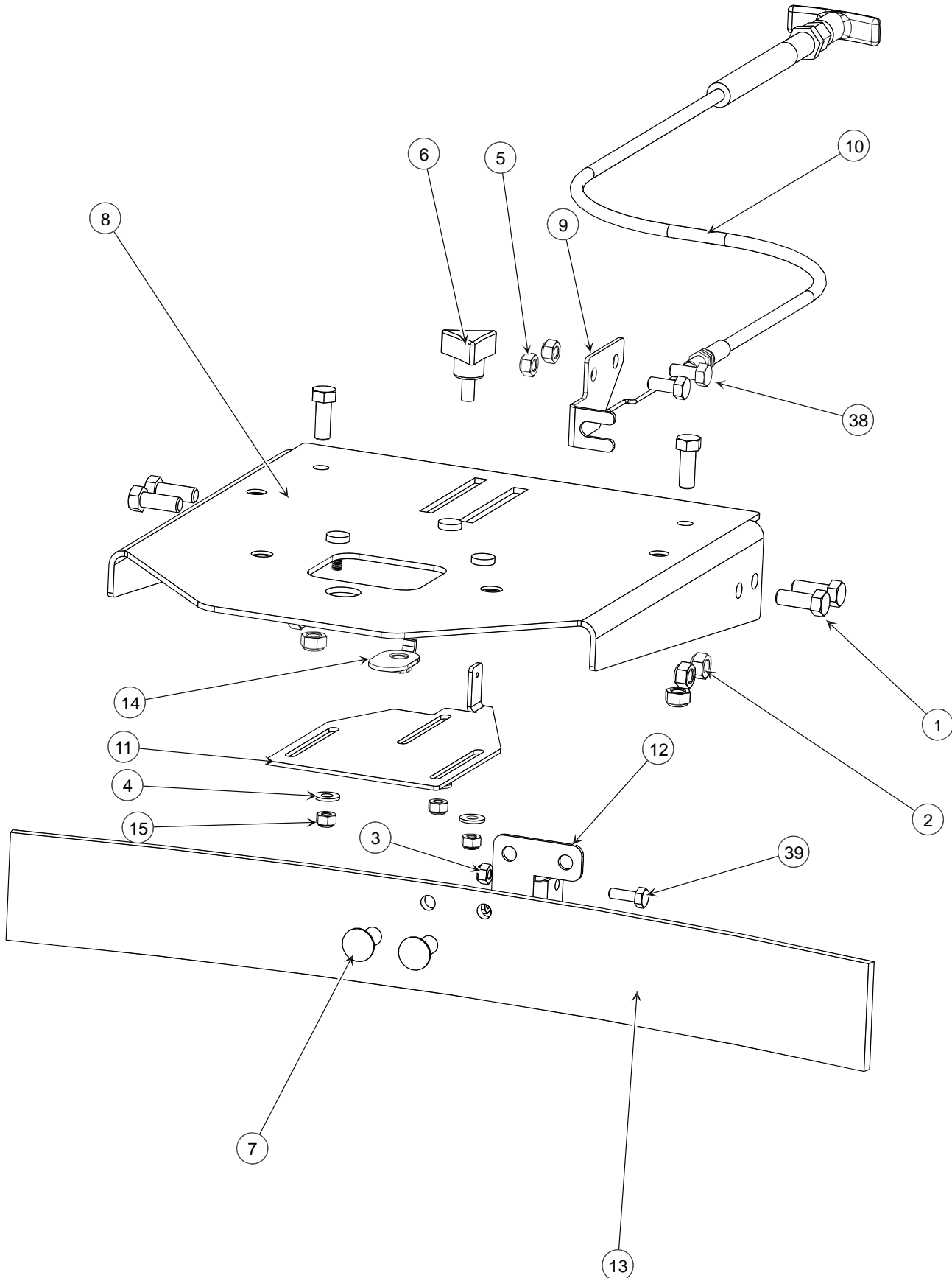
BOM ID	Description	Qty
28	T30216	1
29	T30217	4
30	T30218	4
31	T30226	1
32	T30227	2
33	T30230	8

BOM ID	Description	Qty
34	T30232	4
35	T30233	4
36	T30234	2
37	T30236	1

Gate Assembly Parts Breakdown



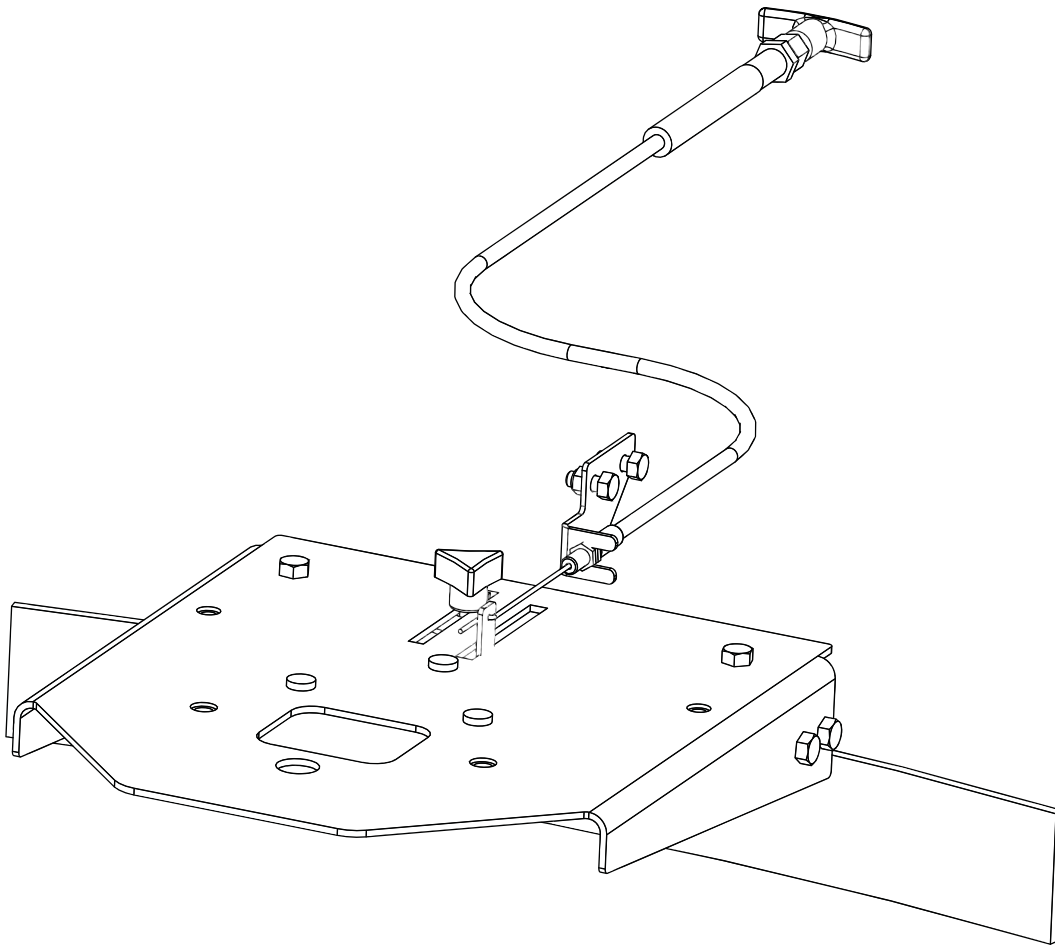
Model # SP-725G/SP-1225G



Gate Assembly Parts Breakdown



Model # SP-725G/SP-1225G



BOM ID	Description	Qty
1	D4121	6
2	D4124	6
3	D4289	2
4	D5701	3
5	D6138	2

BOM ID	Description	Qty
6	D6302	1
7	D6463	2
8	F-50026	1
9	F50027	1
10	F50028	1

BOM ID	Description	Qty
11	F50029	1
12	F50032	1
13	F50033	1
14	T-15091	1
15	T15016	3

BOM ID	Description	Qty
38	T15111	2
39	T15131	2

